

RF Wall Mounted Touch Panel

SR-2830RGBDMX(US)



Feature

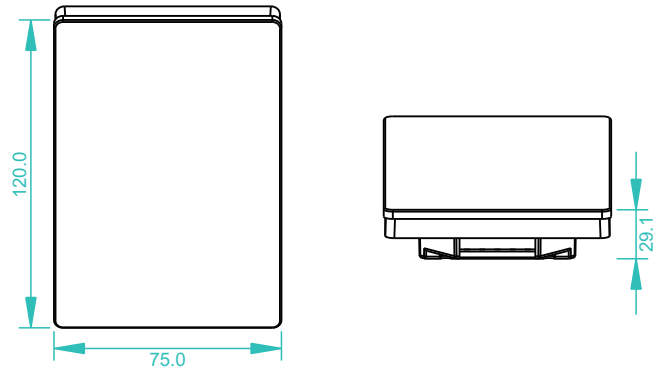
- Backlight, find in the dark
- Glass interface(White & Black)
- Touch sensitive
- Adjust brightness and color



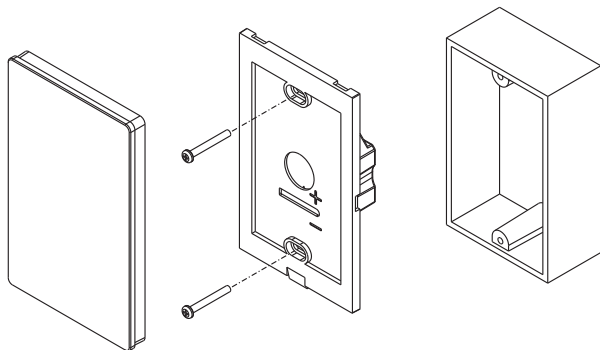
Parameter

Part No.	Input Voltage	Output	Size	Remarks
SR-2830RGBDMX(US)	12-24VDC	DMX512 Signal	120x75x29.1	Touch Sensor

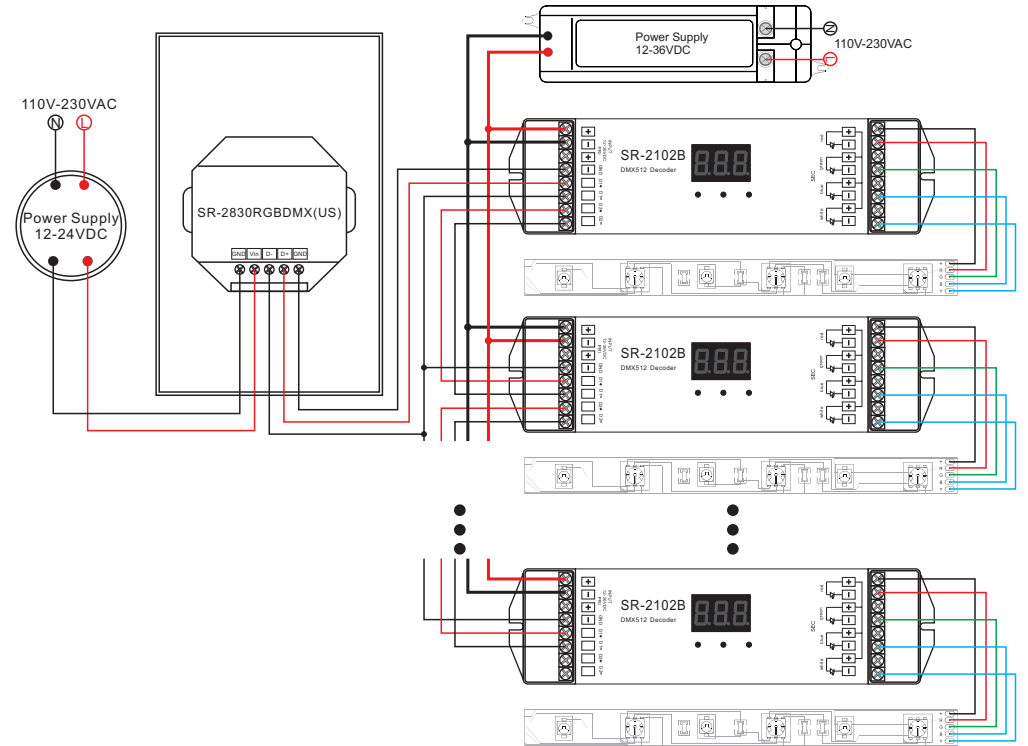
Product Size



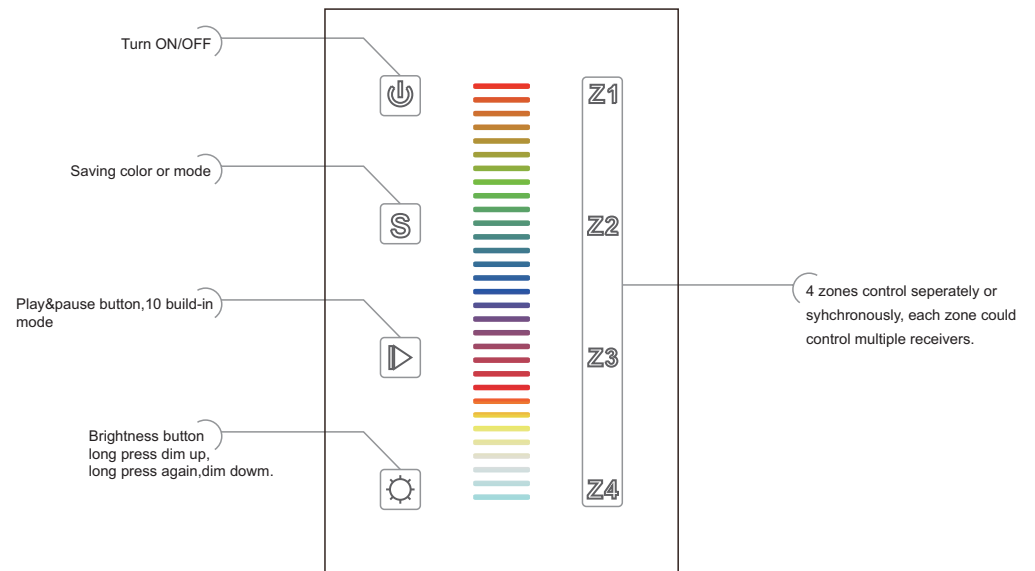
Installation



Wiring diagram



Description of buttons



Operation

1. Learning ID with SR-1009 series:

Click learning button on RF receiver (SR-1009XX)→

Short Touch a zone button Z1,Z2,Z3 or Z4 (sender 2830RGB)→Touch dimming slider

The light flick means ID learnt successfully.

Touch zone button Z1/Z2/Z3/Z4 separately over 2 seconds, which will turn ON/OFF separately.

The backlight blue is ON for the zone, yellow is OFF for the zone.

Notice : Each sender can control 4 different zones separately,each zone can be learned endless receivers,so one sender can control as many receivers as you can.

Z1 Z2 Z3 Z4 Short press is choose the zone.

Long press can turn off/on each zone.

S a.Save color :choose a zone or multiple zones from(Z1,Z2,Z3,Z4) →

Touch dimming slider to get a favorite color →

Hold **S** button over 2 seconds →

The light flicking means successfully saved.

b.Save mode:choose a zone or multiple zones from(Z1,Z2,Z3,Z4) →

press **▷** button,10 build-in modes inside, choose the favorite mode →

Hold **S** button over 2 seconds-The light flicking means successfully saved.

c.Reply:Short touch button **S** to replay the color or mode just saved.

▷ Press **▷** Button, mode will run.Press it once,it runs one mode.Press button again,it stops,then press one more time, it will enter next mode.There are total 10 build-ion modes.

☼ Long press dim up,Long press again,dim down.

Safety & Warnings

- 1) The product shall be installed and serviced by a qualified person.
- 2) IP20. Please avoid the sun and rain. When installed outdoors, please ensure it is mounted in a water proof enclosure.
- 3) Always be sure to mount this unit in an area with proper ventilation to avoid overheating.
- 4) Please check if the output voltage of any LED power supplies used comply with the working voltage of the product.
- 5) Never connect any cables while power is on and always assure correct connections to avoid short circuits before switching on.
- 6) Please ensure that the cable is secured tightly in the connector
- 7) For update information please consult your supplier.

Warranty Agreement

1) We provide lifelong technical assistance with this product:

- 5-year warranty. We print date on every products, for example :1125 means year 2011,week 25.The warranty is for free repair or replacement and covers manufacturing faults only.

- For faults beyond the 5-year warranty we reserve the right to charge for time and parts.

2) Limited Warrenty

- Any defects caused by wrong operation.

- Any damages caused by unauthorized removal, maintenance, modifying, incorrect connection and replacement of chips.

- Any damages due to transportation, vibration etc. after purchase.

- Any damages caused by earthquake, fire, lightning, pollution and abnormal voltage.

- Any damages caused by negligence, inappropriate storing at high temperatures and humidity or near harmful chemicals.

- Product has been updated

3) Repair or replacement as provided under this warranty is the exclusive remedy to the customer.