

Single Zone RF Wireless CCT Controller

Model:SR-2828CCT with SR-2501M series



Product introduction

SR-2828CCT is RF touch dimmer with 256 levels logarithmic dimming from 1-100%, which is suitable for dimming CCT CW+WW two color led light.

Parameter

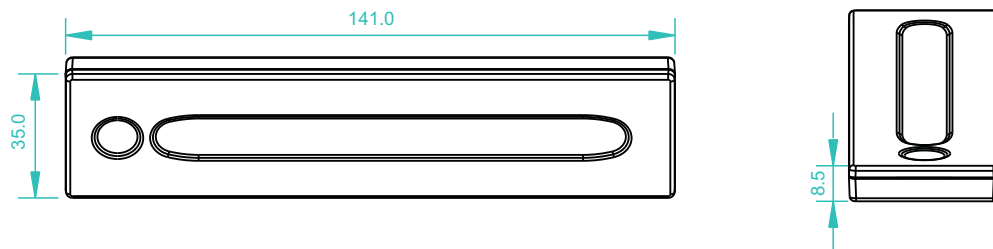
Remote

Part No.	Operation Voltage	Operation Frequency	DIMENSIONS ø/h (mm)	Remarks
SR-2828CCT	3VDC	434MHz/868MHz	35x141x8.5	load 2pcs CR2025 batteries

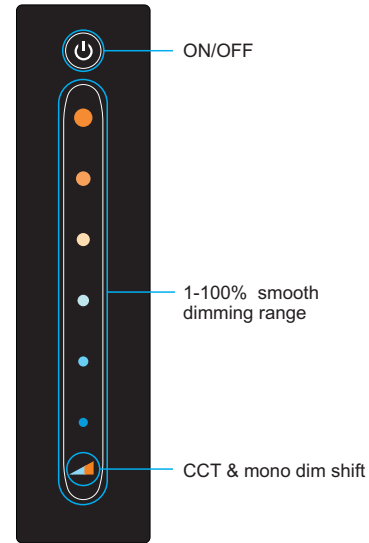
Receiver

Part No.	Input Voltage	Current	Output	Remarks
SR-2501M	12-36VDC	4x5A	4x(60-180)W	Constant voltage
SR-2501MEA	12-36VDC	4x8A	4x(96-288)W	Constant voltage
SR-2502M	12-36VDC	4x350mA	4x(4.2-12.6)W	Constant current
SR-2503M	12-36VDC	4x700mA	4x(8.4-25.2)W	Constant current

Product Size



Brief introduction of buttons



Operation

After you have wired all the receivers according to Figure illustration you need to do the following:

1. Pull off the plastic film cover of the battery at the back of remote.
2. Pair remote with receiver: short press the Learning Key on the receiver, then immediately short slide touch. Once you do that, the LED lights will flash. The remote and receiver are paired!
3. Do the same step 2. to pair endless quantity of receivers to the remote, to control in sync.
4. CCT & mono dim shift: hold button for 5 seconds to shift the CCT and mono dim mode, then slide touch to do the control.

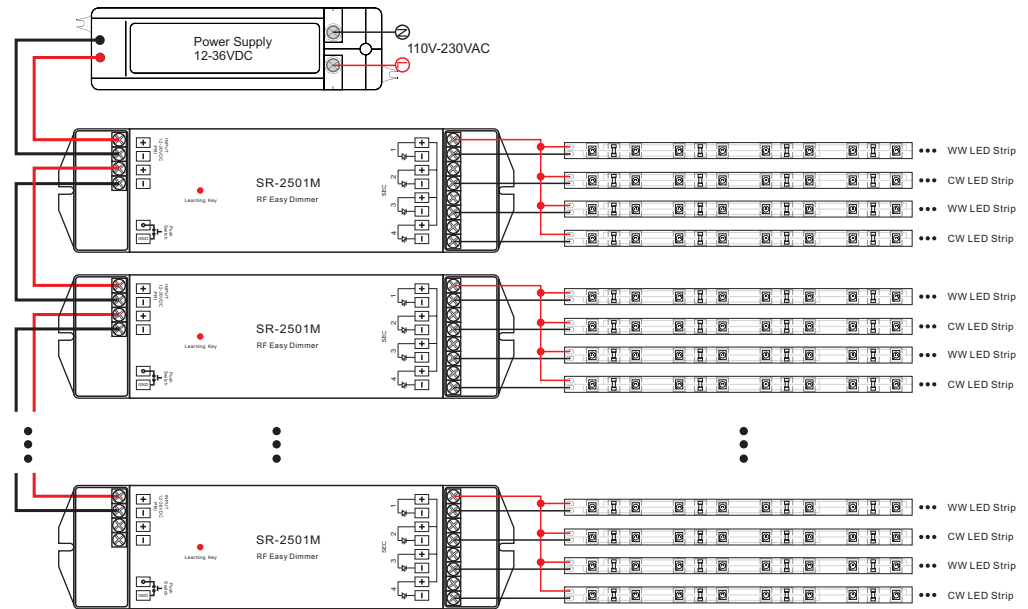
Factory default Reset:

In case you want to reset the receiver: when receiver is powered, long press Learning Key for 10 secs. Re assigning the receiver to a different remote is easy, just repeat Step 2. as above.



SR-2828CCT Back

Wiring diagram



Safety & Warnings

- 1) The product shall be installed and serviced by a qualified person.
- 2) IP20. Please avoid the sun and rain. When installed outdoors, please ensure it is mounted in a water proof enclosure.

- 3) Always be sure to mount this unit in an area with proper ventilation to avoid overheating.
- 4) Please check if the output voltage of any LED power supplies used comply with the working voltage of the product.
- 5) Never connect any cables while power is on and always assure correct connections to avoid short circuits before switching on.
- 6) Please ensure that the cable is secured tightly in the connector
- 7) For update information please consult your supplier.

Warranty Agreement

1) We provide lifelong technical assistance with this product:

- 3-year warranty. We print date on every products, for example :1125 means year 2011, week 25. The warranty is for free repair or replacement and covers manufacturing faults only.

- For faults beyond the 3-year warranty we reserve the right to charge for time and parts.

2) Limited Warrenty

- Any defects caused by wrong operation.

- Any damages caused by unauthorized removal, maintenance, modifying, incorrect connection and replacement of chips.

- Any damages due to transportation, vibration etc. after purchase.

- Any damages caused by earthquake, fire, lightning, pollution and abnormal voltage.

- Any damages caused by negligence, inappropriate storing at high temperatures and humidity or near harmful chemicals.

- Product has been updated

3) Repair or replacement as provided under this warranty is the exclusive remedy to the customer.