

Wall mounted RGB/W DMX512 controller

SR-2812(IT)



Feature

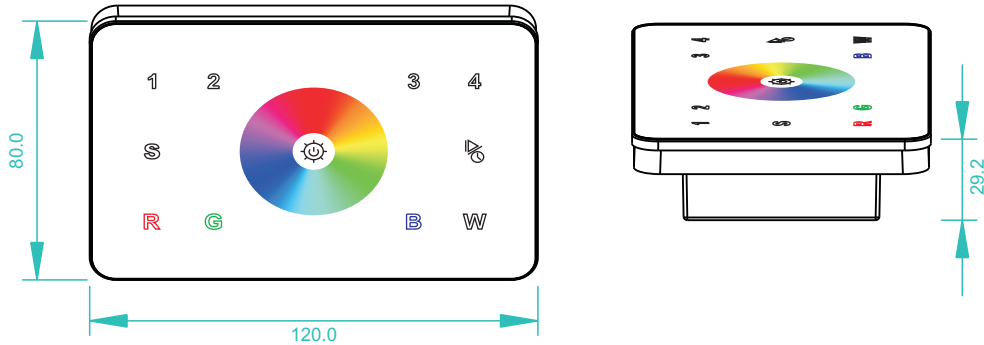
- Touch sensitive
- Glass interface(White & Black)
- Control 4 zones synchronously and separately
- Save up to 4 color in each zone



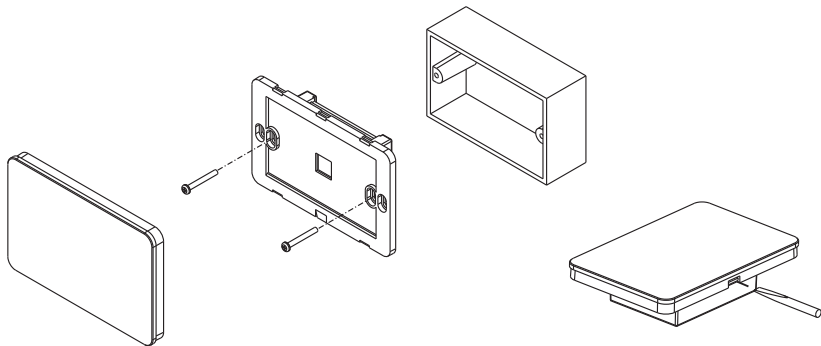
Parameter

Part No.	Operation Voltage	OUTPUT	DIMENSIONS ø/h (mm)
SR-2812(IT)	12-24VDC	DMX512 Signal	120x80x29.2

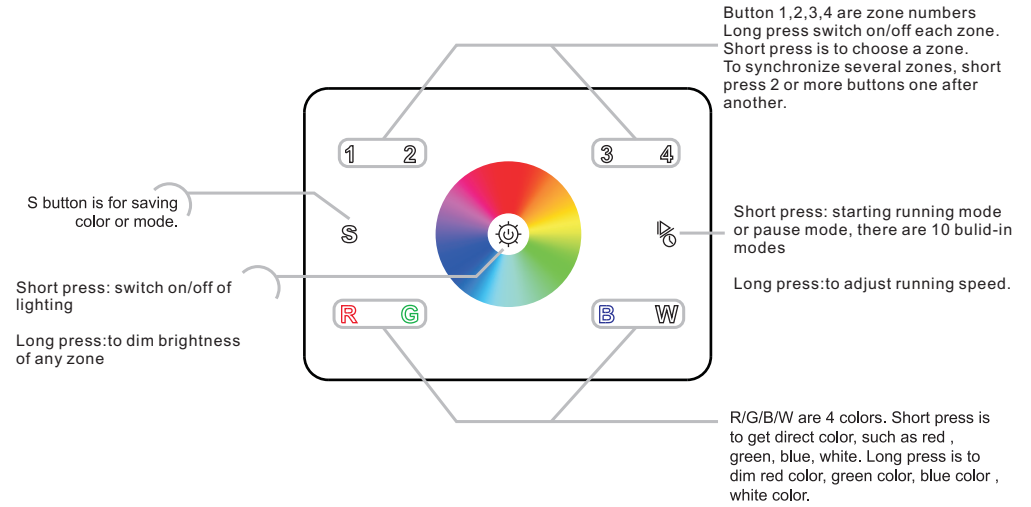
Product Size



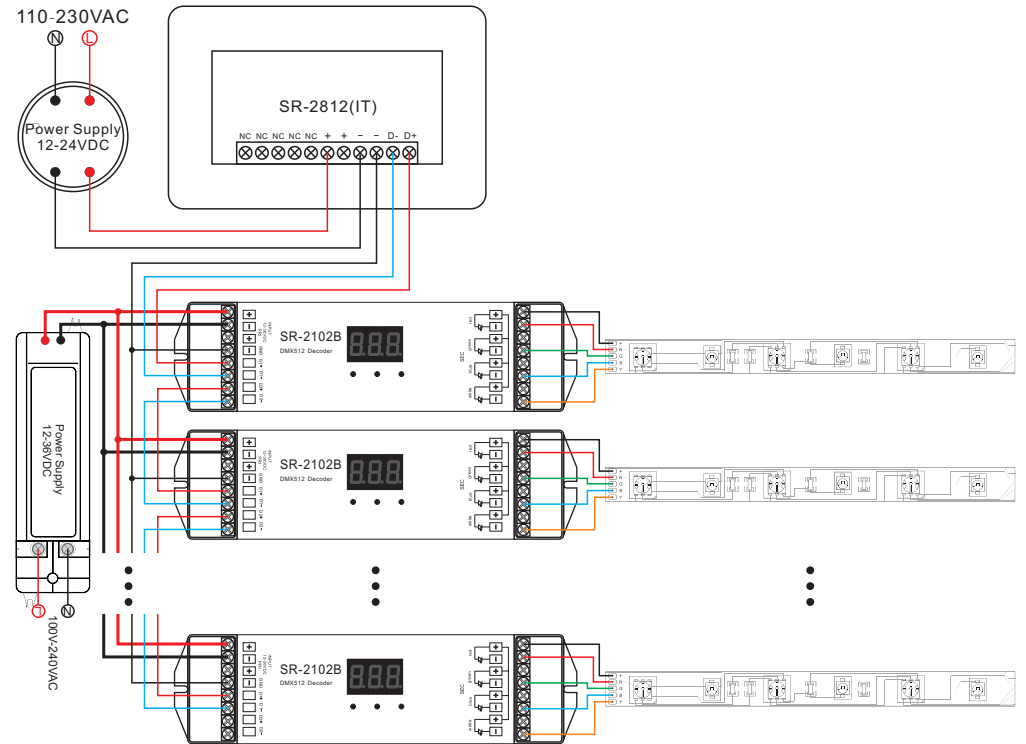
Installation



Button introduction



Wiring diagram



Operation

a. how to operate zone button

After connect well with DMX decoders, please set the DMX decoders

address as below:

DMX decoder's address 001 is controlled by Zone 1

DMX decoder's address 005 is controlled by Zone 2

DMX decoder's address 009 is controlled by Zone 3

DMX decoder's address 013 is controlled by Zone 4

Short press zone number is to choose a zone, long press zone number

is turn on/off that zone individually

To synchronize several zones, short press 2 or more buttons one after another, then touch the color wheel

b. how to save color or mode

Choose a zone(for example zone1) to do the control, if you like a color or playing mode, long press S button, until the indicator turns pink color , then touch any one of the number 1~4(for example 2), the led will flash means saved. by this way each zone can save 4 colors or modes.,

How to get that saved color or mode :short press zone number---->short press S, then short press the number you saved (for example 2)

Safety & Warnings

- 1) The product shall be installed and serviced by a qualified person.
- 2) IP20. Please avoid the sun and rain. When installed outdoors, please ensure it is mounted in a water proof enclosure.
- 3) Always be sure to mount this unit in an area with proper ventilation to avoid overheating.
- 4) Please check if the output voltage of any LED power supplies used comply with the working voltage of the product.
- 5) Never connect any cables while power is on and always assure correct connections to avoid short circuits before switching on.
- 6) Please ensure that the cable is secured tightly in the connector
- 7) For update information please consult your supplier.

Warranty Agreement

1) We provide lifelong technical assistance with this product:

- 5-year warranty. We print date on every products, for example :1125 means year 2011, week 25. The warranty is for free repair or replacement and covers manufacturing faults only.

- For faults beyond the 3-year warranty we reserve the right to charge for time and parts.

2) Limited Warranty

- Any defects caused by wrong operation.

- Any damages caused by unauthorized removal, maintenance, modifying, incorrect connection and replacement of chips.

- Any damages due to transportation, vibration etc. after purchase.

- Any damages caused by earthquake, fire, lightning, pollution and abnormal voltage.

- Any damages caused by negligence, inappropriate storing at high temperatures and humidity or near harmful chemicals.

- Product has been updated

3) Repair or replacement as provided under this warranty is the exclusive remedy to the customer.