

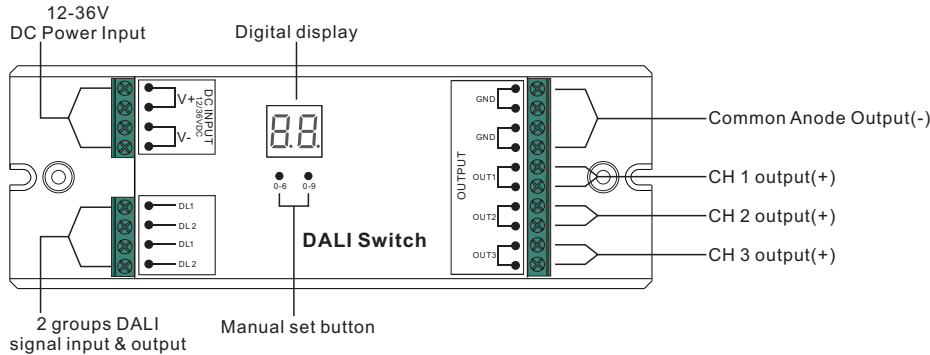
DALI Switch

09.272BE.04706



Important: Read All Instructions Prior to Installation

Function introduction



Product Data

Input Voltage	Output Current	Output Power	Remarks	Size(LxWxH)
12-36VDC	3x8A	3x(96-288)W	Constant voltage	170x59x29mm

- Match all DALI system in the market
- Manual /automatically DALI address setting
- DALI address digital indicate
- 3 DALI address, 3channels DC output
- Waterproof grade:IP20

Safety & Warnings

- DO NOT install with power applied to device.
- DO NOT expose the device to moisture.

Operation

Set DALI Address Manually Via Buttons



3 DALI addresses for 3 output channels can be set via buttons:

- 1.1. Press and hold down any of the two buttons until numeric digital display flashes, then release the button.
- 1.2. Click any of the two buttons once to select a digit, click again to change the digit until the desired DALI address appears. Click first button to set "tens" position and second button to set "units" position. The address can be set from 00-63.
- 1.3. Then press and hold down any of the 2 buttons until the numeric digital display stops flashing to confirm the setting.

Note: this device occupies 3 DALI addresses for 3 output channels, for example, if the address is set as 01, then address of channel 1 will be 01, address of channel 2 will be 02 and address of channel 3 will be 03.

Note: DALI address can be manually assigned from 00-63-FF, by factory defaults, no DALI address is assigned for the switch, and the display shows **FF**. Setting DALI address as **FF** will reset the switch to factory defaults.

DALI Address Assigned by DALI Masters

DALI address can also be assigned by DALI Master controller automatically, please refer to user manuals of compatible DALI Masters for specific operations.

Note: The digital display will show **FF** When the DALI master is assigning addresses.

The DALI master controllers can only do switching ON/OFF operation to this device.

Wiring Diagram

