

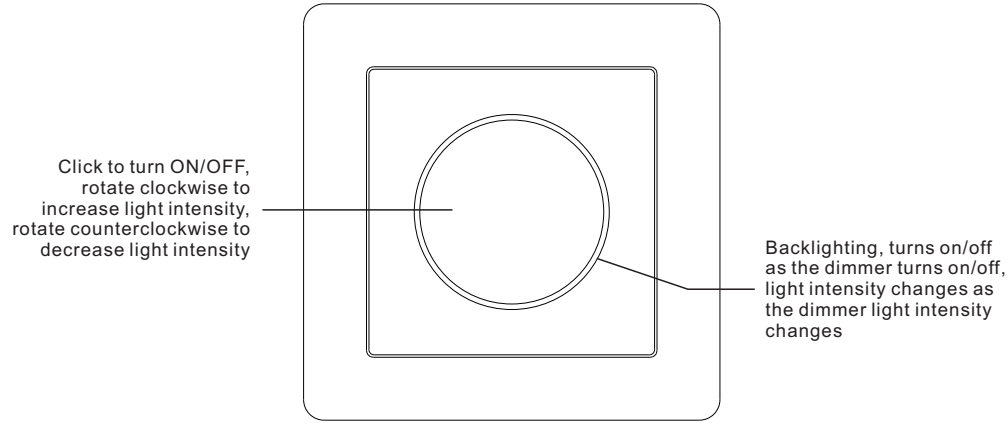
Group Control Single Color DALI DT6 Rotary Dimmer Switch

09.2410RG.04013

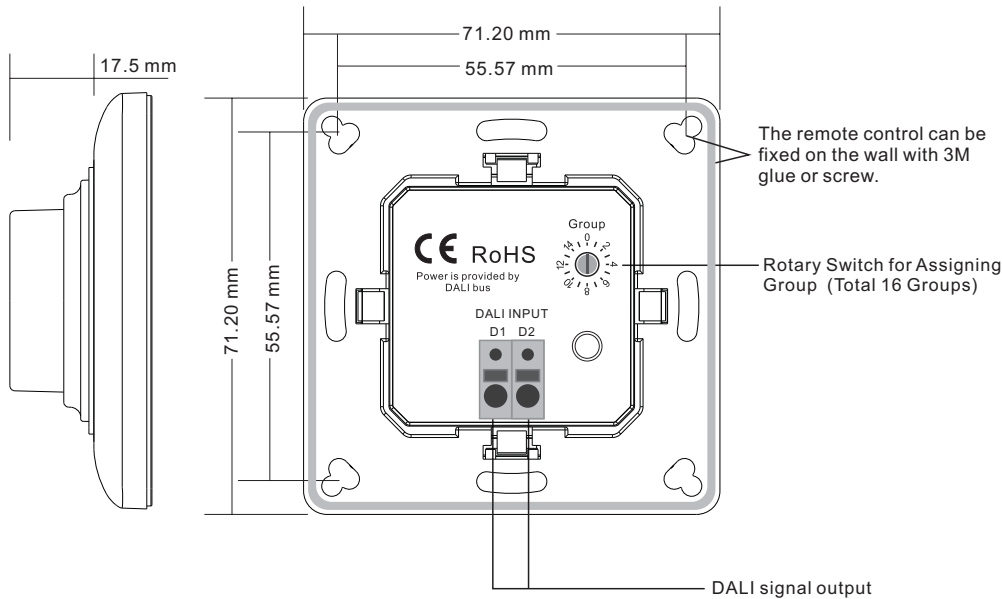


Important: Read All Instructions Prior to Installation

Function introduction



Front side



Back side

Product Data

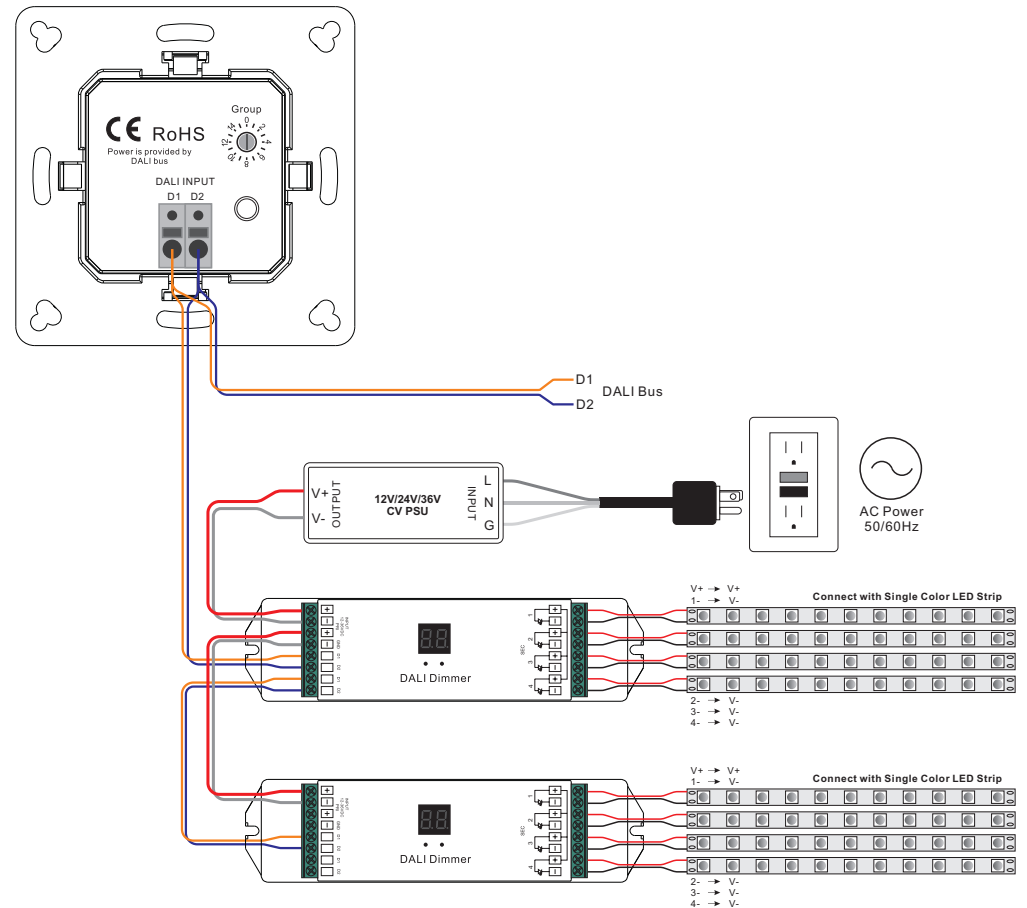
Output	DALI signal
Power Supply	Supply By DALI Bus
Operation Current	4mA
Operating temperature	0-40°C
Relative humidity	8% to 80%
Dimensions	55.6 x 55.6 x 20.8 mm

- Comply to DALI standard protocol IEC 62386-102, IEC 62386-207 and in compliance with DALI products from other international incorporation.
- DALI bus powered, one channel DALI bus can install multiple dimming controllers.
- No external power supply which is provided by DALI bus. Consumption current is 4mA.
- Enable to select and control 1 DALI group
- Enable to control all devices on the DALI circuit through broadcast
- Plastic or glass front plate optional
- Backlighting design to indicate the dimming status

Safety & Warnings

- DO NOT install with power applied to device.
- DO NOT expose the device to moisture.

Wiring Diagram



Operation

1. Do wiring according to connection diagram correctly.

2. Set starting Group number via rotary switch on the back: (0-15 selectable)

- This DALI rotary dimmer enables dimming commands to be sent to One Group of devices on the DALI circuit by one Group of button. A rotary switch on the back is used to select Group you would like to control and set the starting Group number, and total 16 Groups (0-15) can be selected.

- When the rotary switch arrow position is at 0, the dimmer controls all 16 Groups of devices through broadcast.

- When the rotary switch arrow position is at X except 0 (1-15), the dimmer controls Group X-1 of devices.

For example: Rotary switch arrow at 1, it controls Group 0 of devices. Rotary switch arrow at 15, it controls Group 14 of devices.

Please refer to the detailed Group setting table as follows:

Rotary Switch Position	0	1	2	3	4	5	6	7	8	9	10	11	12	13	14	15
DALI Group for the controller	Broadcast	0	1	2	3	4	5	6	7	8	9	10	11	12	13	14