

# Push Button Single Color DALI Controller

09.2402K4G.04859

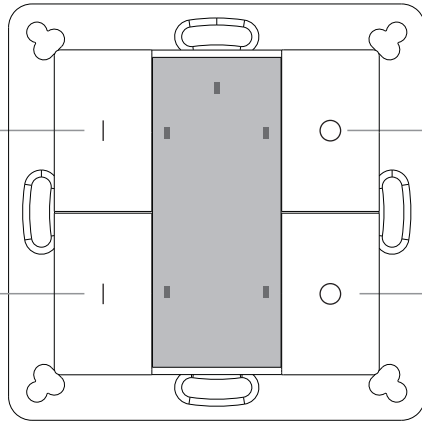


**Important:** Read All Instructions Prior to Installation

## Function introduction

**Group 1:**  
Click to switch on group.  
Press and hold down to turn up brightness of group.

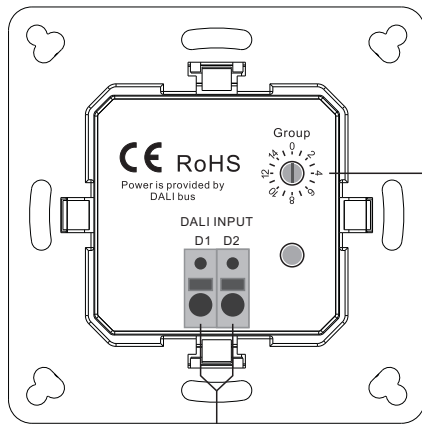
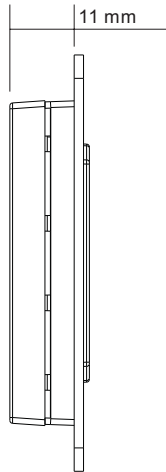
**Group 2:**  
Click to switch on group.  
Press and hold down to turn up brightness of group.



Front side

**Group 1:**  
Click to switch off group.  
Press and hold down to turn down brightness of group.

**Group 2:**  
Click to switch off group.  
Press and hold down to turn down brightness of group.



DALI signal output

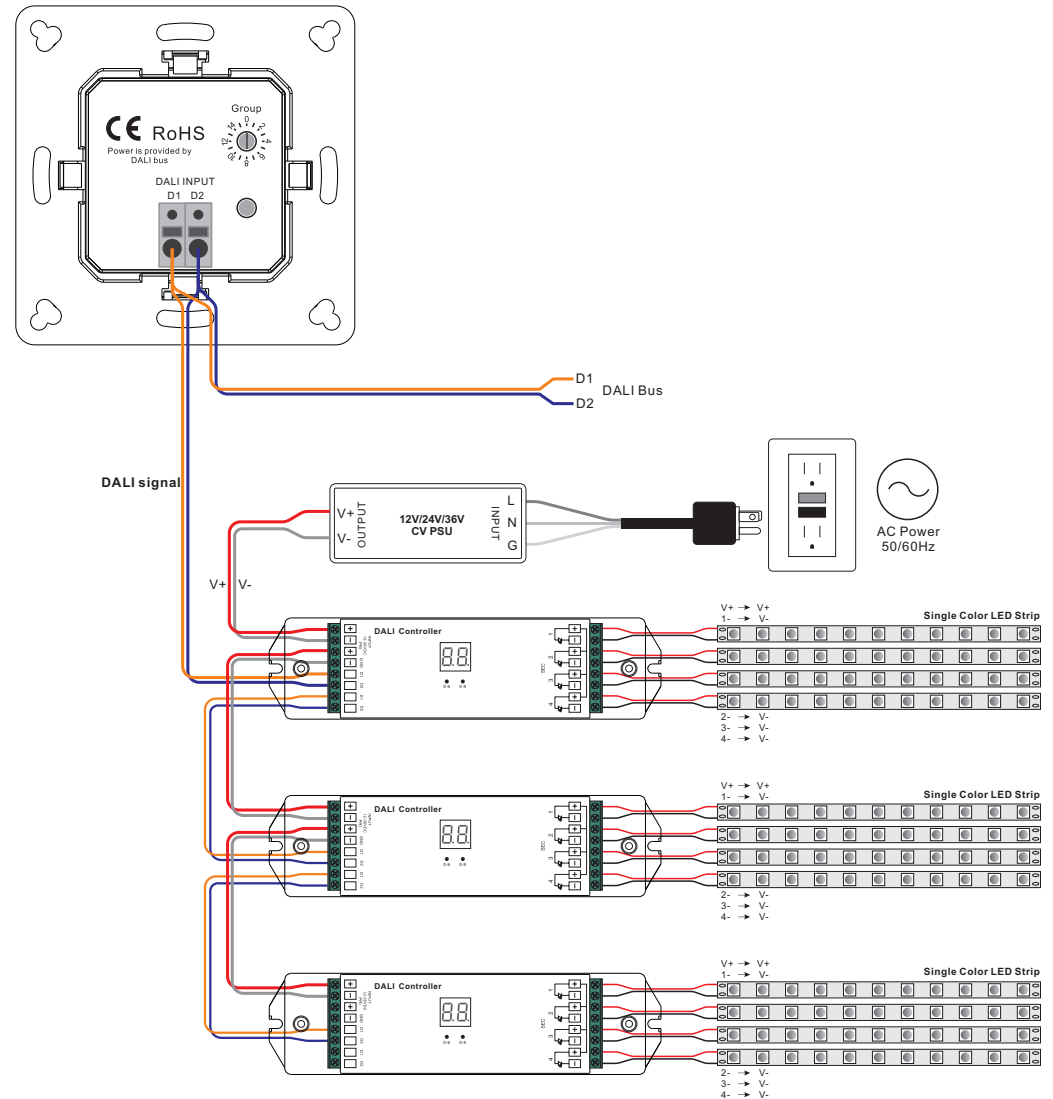
Back side

Rotary Switch for Assigning Group (Total 16 Groups)

## Product Data

Output	DALI signal
Power Supply	Supply By DALI Bus
Operation Current	4mA
Operating temperature	0-40°C
Relative humidity	8% to 80%
Dimensions	71.2x71.2x13.6mm

## Wiring Diagram



## Safety & Warnings

- DO NOT installed with power applied to device.
- DO NOT expose the device to moisture.

## Operation

1. Do wiring according to connection diagram correctly.

2. Set starting Group number via rotary switch on the back: (0-15 selectable)

- This DALI push button controller enables dimming commands to be sent to Two Groups of devices on the DALI circuit by Two Groups of buttons. A rotary switch on the back is used to select Groups you would like to control and set the starting Group number, and total 16 Groups (0-15) can be selected.
- When the rotary switch arrow position is at 0, Group 1 of buttons controls all 16 Groups of devices through broadcast.
- When the rotary switch arrow position is at X except 0 (1-15), Group 1 of buttons controls Group X-1 of devices.

For example: Rotary switch arrow at 1, Group 1 of buttons controls Group 0 of devices. Rotary switch arrow at 15, Group 1 of buttons controls Group 14 of devices.

Please refer to the detailed Group setting table as follows:

Rotary Switch Position	0	1	2	3	4	5	6	7	8	9	10	11	12	13	14	15
DALI Group for Group 1 of Buttons	Broadcast	0	1	2	3	4	5	6	7	8	9	10	11	12	13	14
DALI Group for Group 2 of Buttons	0	1	2	3	4	5	6	7	8	9	10	11	12	13	14	15

## Mounting

The key part of this controller is a universal, standard switch element that can be integrated in numerous frames by different manufactures as below list:

BEKER	S1, B1, B3, B7 glass
GIRA	Standard55, E2, Event, Esprit
JUNG	A500, Aplus
MERTEN	M-smart, M-Arc, M-Plan