

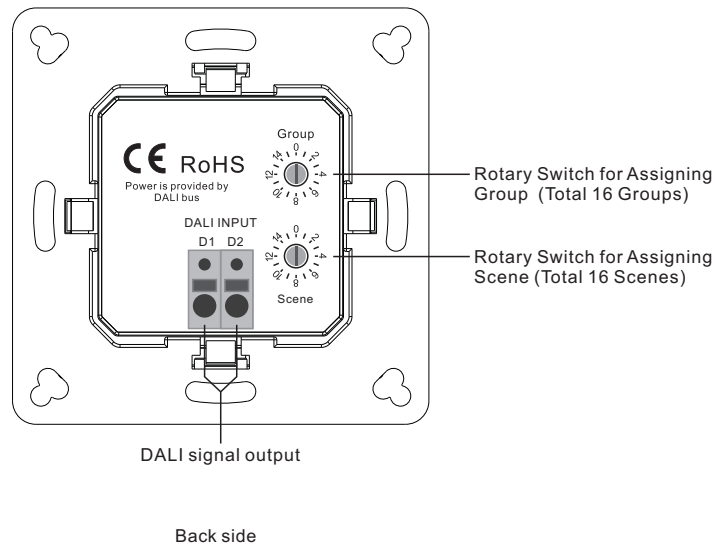
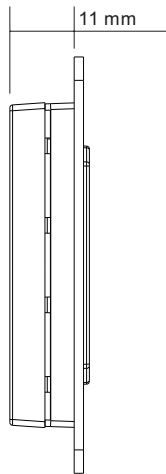
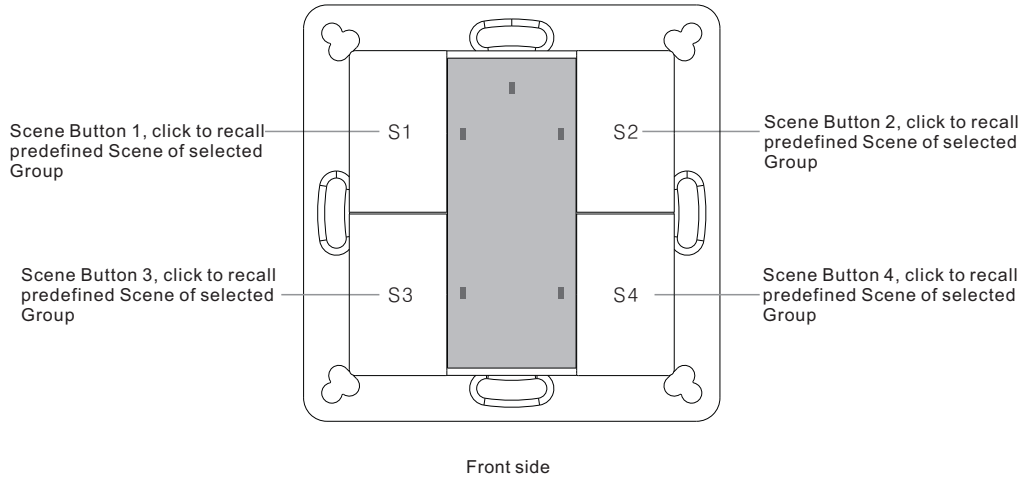
Push Button Single Color DALI Controller

09.2402K4S.04858



Important: Read All Instructions Prior to Installation

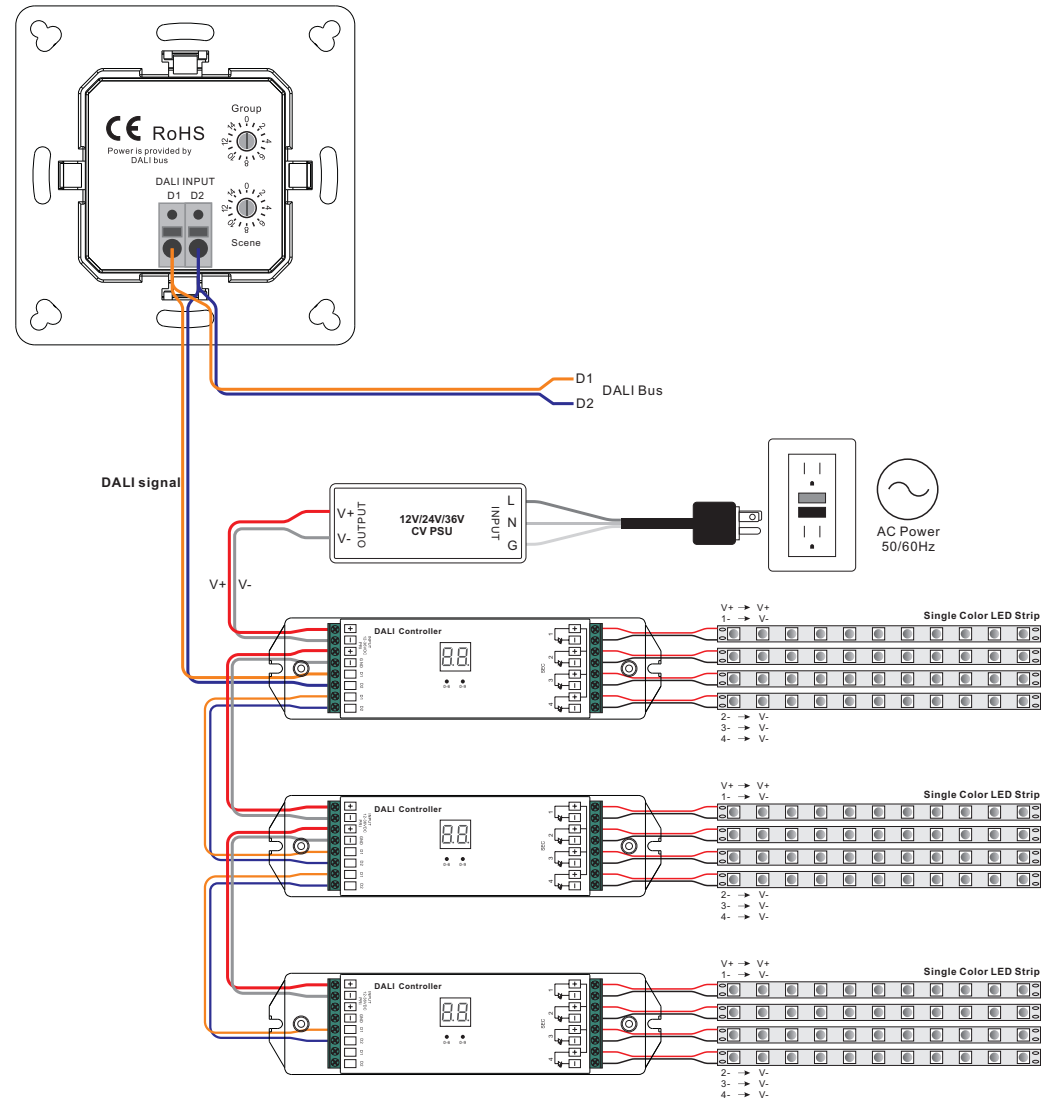
Function introduction



Product Data

Output	DALI signal
Power Supply	Supply By DALI Bus
Operation Current	4mA
Operating temperature	0-40°C
Relative humidity	8% to 80%
Dimensions	71.2x71.2x13.6mm

Wiring Diagram



Safety & Warnings

- DO NOT installed with power applied to device.
- DO NOT expose the device to moisture.

Operation

1. Do wiring according to connection diagram correctly.

2. Set starting Group number via rotary switch on the back: (0-15 selectable)

- This DALI push button controller enables Group selection commands to be sent to One Group of devices on the DALI circuit for Scene control. A rotary switch on the back is used to select Group you would like to control and set the starting Group number, and total 16 Groups (0-15) can be selected.
- When the rotary switch arrow position is at 0, Group 1 of buttons controls all 16 Groups of devices through broadcast.
- When the rotary switch arrow position is at X except 0 (1-15), Group 1 of buttons controls Group X-1 of devices.

For example: Rotary switch arrow at 1, Group 1 of buttons controls Group 0 of devices. Rotary switch arrow at 15, Group 1 of buttons controls Group 14 of devices.

Please refer to the detailed Group setting table as follows:

Rotary Switch Position	0	1	2	3	4	5	6	7	8	9	10	11	12	13	14	15
DALI Group for Group 1 ofButtons	Broadcast	0	1	2	3	4	5	6	7	8	9	10	11	12	13	14

3. Set starting Scene number via rotary switch on the back: (0-15 selectable)

- This DALI push button controller enables Scene selection commands for up to four Scenes to be sent to the DALI circuit by 4 Scene buttons S1, S2, S3, S4. A rotary switch on the back is used to select Scenes you would like to control and set the starting scene number, and total 16 Scenes (0-15) can be selected.

- When the rotary switch arrow position is at X (0-15), Scene button S1 controls Scene X, and S2 controls Scene X+1.

For example: Rotary switch arrow at 0, button S1 controls Scene 0, and S2 controls Scene 1. Rotary switch arrow at 15, button S1 controls Scene 15, and S2 controls Scene 0.

Please refer to the detailed Scene setting table as follows:

Rotary Switch Position	0	1	2	3	4	5	6	7	8	9	10	11	12	13	14	15
Scene assigned to S1	0	1	2	3	4	5	6	7	8	9	10	11	12	13	14	15
Scene assigned to S2	1	2	3	4	5	6	7	8	9	10	11	12	13	14	15	0
Scene assigned to S3	2	3	4	5	6	7	8	9	10	11	12	13	14	15	0	1
Scene assigned to S4	3	4	5	6	7	8	9	10	11	12	13	14	15	0	1	2

Mounting

The key part of this controller is a universal, standard switch element that can be integrated in numerous frames by different manufactures as below list:

BEKER	S1, B1, B3, B7 glass
GIRA	Standard55, E2, Event, Esprit
JUNG	A500, Aplus
MERTEN	M-smart, M-Arc, M-Plan