

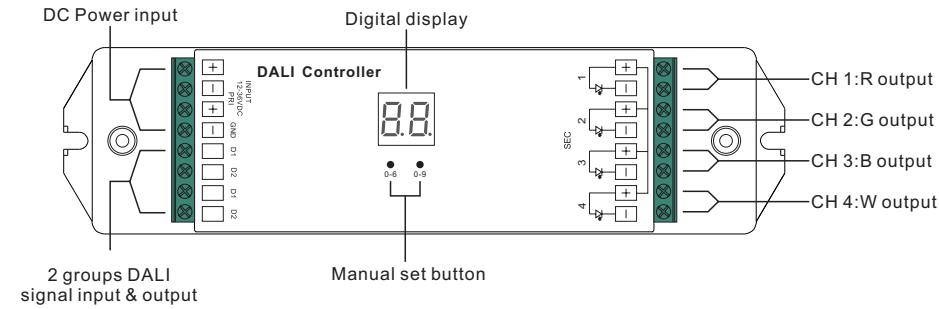
Universal series DALI dimmer

09.2303B.04078



Important: Read All Instructions Prior to Installation

Function introduction



Product Data

No.	Input Voltage	Output Current	Output Power	Remarks	Size(LxWxH)
1	12-36VDC	4x5A	4x(60-180)W	Constant voltage	178x46x22mm
2	12-36VDC	4x350mA	4x(4.2-12.6)W	Constant current	178x46x22mm
3	12-36VDC	4x700mA	4x(8.4-25.2)W	Constant current	178x46x22mm

- Match all DALI system in the market
- Manual /automatically DALI address setting
- DALI address digital indicate
- Four channels, can set addresses from one to four.
- To work with power repeater to expand output power unlimitedly.
- Waterproof grade:IP20

Safety & Warnings

- DO NOT install with power applied to device.
- DO NOT expose the device to moisture.

Operation

Set DALI Address Manually Via Buttons



- 1.1. Press and hold down any of the two buttons until numeric digital display flashes, then release the button.
- 1.2. Click any of the two buttons once to select a digit, click again to change the digit until the desired DALI address appears. Click first button to set "tens" position and second button to set "units" position. The address can be set from 00-63.
- 1.3. Then press and hold down any of the 2 buttons until the numeric digital display stops flashing to confirm the setting.

Note: DALI address can be manually assigned from 00-63-FF, by factory defaults, no DALI address is

assigned for the dimmer, and the display shows **FF**. Setting DALI address as **FF** will reset the dimmer to factory defaults.

Set DALI Address Quantity



- 1.1. Press and hold down both of the two buttons until numeric digital display flashes, then release the button.
- 1.2. Click first button to select "1A", "2A", "3A" or "4A" which means 1 address, 2 addresses, 3 addresses or 4 addresses.
- 1.3. Then press and hold down any of the 2 buttons until the numeric digital display stops flashing to confirm the setting.

For example, when we set address to 22:

When select 1A, all four channels will be the same address 22.

When select 2A, channel 1 & 3 will be the same address 22, channel 2 & 4 will be the same address 23.

When select 3A, channel 1, 2, 3 will be address 22, 23, 24 respectively, and channel 4 address is also 24.

When select 4A, channel 1, 2, 3, 4 will be address 22, 23, 24, 25 respectively.

DALI Address Assigned by DALI Masters

DALI address can also be assigned by DALI Master controller automatically, please refer to user manuals of compatible DALI Masters for specific operations.

Note: The digital display will show **AA** When the DALI master is assigning addresses.

Wiring diagram

