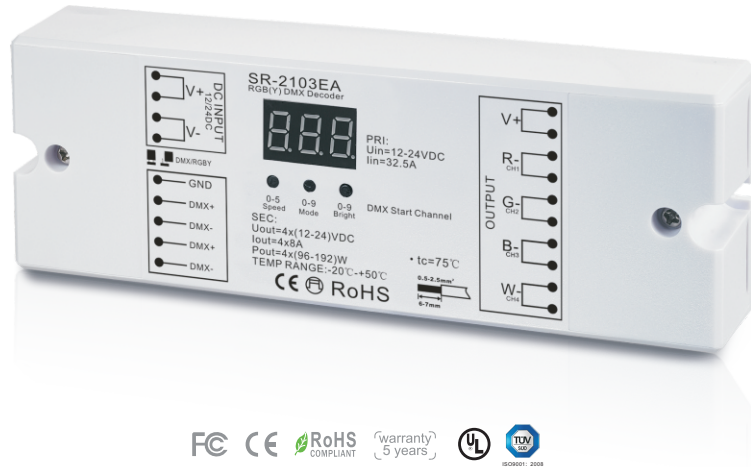


# DMX512 Decoder(with Stand-Alone)

SR-2103EA



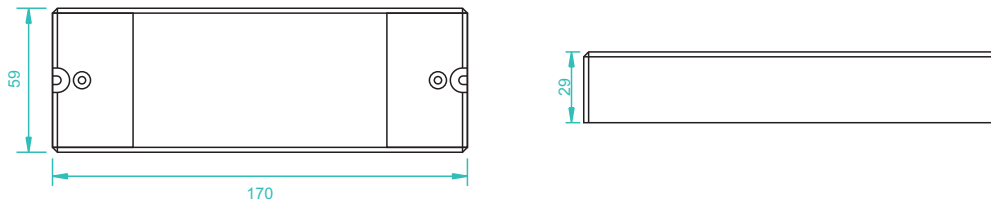
## Feature

- Standard DMX512 compliant control interface, enable to set the DMX address freely. And show address Via digital numeric display.
- Stand-alone mode and DMX512 decoder mode can be freely switched by buttons. Under situation of Stand-alone mode, it can be controlled by manual buttons with its built-in programs, instead of DMX signal.
- Three-channel/ four-channel output selectable.
- Two types available(Constant Voltage, Constant Current),suitable for different LED lamps.
- To work with power repeater to expand output power unlimitedly.
- Compatible with SR-2811DMX,SR-2201DMX,SR-2812,SR-2816 and any good quality DMX Master

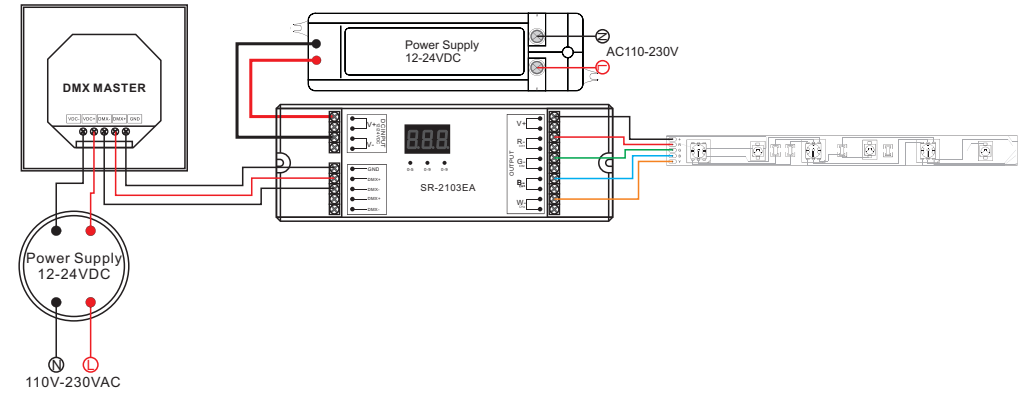
## Parameter

Part No.	Input Voltage	Output Current	Output Power	Remarks
SR-2103EA	12-36VDC	4x8A	4x(96-288)W	constant voltage

## Product Size



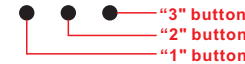
## Wiring diagram



## Using instruction

### Operation

Through buttons to set desired DMX512 address, 1 key is to set "hundreds" position, 2 is to set "ten" position, 3 is to set "a" bit.



To open the connection of DMX512 controller, then it can work correctly.



### Choose Channel

Press button "2" and button "3" at the same time for 2 seconds, cH digital display flashes, press button "1" to choose 3/4, 3 means total 3 channels, 4 means total 4 channels. Press any button for 2 seconds to confirm 3 or 4 channels outputs. The factory preset default is 4 channels outputs.

## Operation

### Choose mode

Press "1" and "2" key for 2 seconds, r, u digital display flashes, press "3" key choose 1 or 2 mode. If the board display ru1: stand-alone mode; ru2: slaver mode. press any button for 2 seconds to confirm the mode you need.



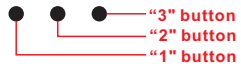
### Operation under DMX512 SLAVE mode

Under this mode ru2, it is just a standard of DMX512 decoder slave, it can connect DMX512 MASTER signal with DMX512 signal input port, to be controlled by DMX512 master. Through buttons to set desired DMX512 address, the digital numeric display the starting address. For example: the digital numeric display 001, it means this DMX slave include 001,002,003,004 addresses (under situation of 4 CH).



### Operation under stand-alone mode

Under stand-alone mode ru1, it can be operated as a independent led controller, then can not accept DMX input. At stand-alone mode, it is just an individual led controller, no DMX in or out. The function as follows: If you choose ru1, after you press any button > 2 seconds to confirm, the three buttons on board will work like below functions



Only under "ru1" stand-alone mode

#### Choose channel

Hold the "Mode" and "Bright" button for two seconds, cH digital display flashes, then press "Speed" button to choose "3" or "4", then press any button for 2 seconds to confirm 3 or 4 channels you need.

#### Speed button

To speed up/down color changing, 0-9 speed level cycling changing, "0" is the maximum speed, "9" is the minimum speed. The "Speed" button is only used under dynamic effects which you can get from "Mode" button.

#### Mode button

Press "Mode" button to see total 9 dynamic effects in this way: effects1-pause-effects2-pause-effects3-pause...

#### Bright button

To adjust the brightness, 1-8 level brightness, cycling, "1" is the lowest brightness, "8" is the highest brightness.

#### Set DMX address

Press 1st button for 2 seconds, digital display flashes to set the required DMX address, then press any button for >2 seconds to confirm.



#### Choose PWM frequency

Press 1st button and 3rd button for 2 seconds, digital display flashes to show P-c. P means PWM frequency, press 1st to show "1", means 1500Hz, "2" means 200Hz. c means dimming options, press 3rd to show "1", means logarithmic dimming, "2" means linear dimming.

The factory preset default is PWM frequency 200Hz with linear dimming. **2-2**

## Safety & Warnings

- 1) The product shall be installed and serviced by a qualified person.
- 2) IP20. Please avoid the sun and rain. When installed outdoors, please ensure it is mounted in a water proof enclosure.
- 3) Always be sure to mount this unit in an area with proper ventilation to avoid overheating.
- 4) Please check if the output voltage of any LED power supplies used comply with the working voltage of the product.
- 5) Never connect any cables while power is on and always assure correct connections to avoid short circuits before switching on.
- 6) Please ensure that the cable is secured tightly in the connector
- 7) For update information please consult your supplier.

## Warranty Agreement

1) We provide lifelong technical assistance with this product:

- 5-year warranty. We print date on every products, for example :1125 means year 2011, week 25. The warranty is for free repair or replacement and covers manufacturing faults only.

- For faults beyond the 3-year warranty we reserve the right to charge for time and parts.

2) Limited Warranty

- Any defects caused by wrong operation.

- Any damages caused by unauthorized removal, maintenance, modifying, incorrect connection and replacement of chips.

- Any damages due to transportation, vibration etc. after purchase.

- Any damages caused by earthquake, fire, lightning, pollution and abnormal voltage.

- Any damages caused by negligence, inappropriate storing at high temperatures and humidity or near harmful chemicals.

- Product has been updated

3) Repair or replacement as provided under this warranty is the exclusive remedy to the customer.