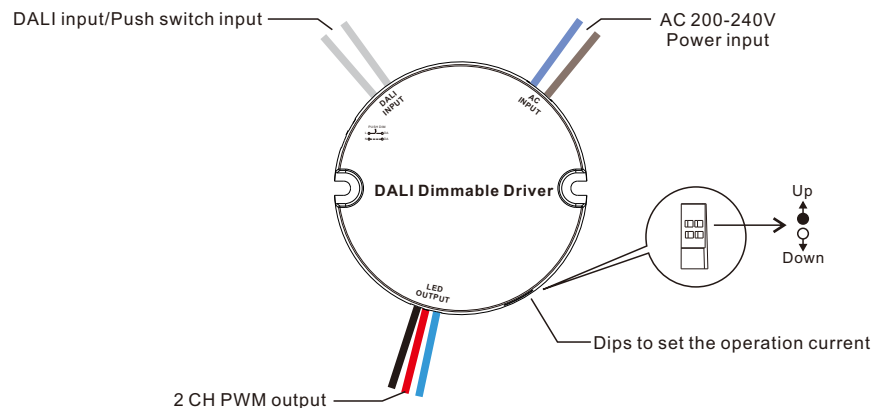


9W DALI DT8 LED Driver (Constant current)



Important: Read All Instructions Prior to Installation

Function introduction



Product Data

| Output | Current | 350mA | 450mA | 600mA | 700mA |
|-------------------|---------------------------------|--|----------|----------|----------|
| | DC Voltage Range | 6-25V DC | 6-20V DC | 6-15V DC | 6-13V DC |
| Rated Power | Max.9W | | | | |
| Current Tolerance | ± 3% | | | | |
| LED Channel | 2 Channel | | | | |
| Input | Voltage Range | 200-240V AC | | | |
| | Frequency | 50/60Hz | | | |
| | Power Factor (Typ.) | > 0.9 | | | |
| | Efficiency (Typ.) | 80% @ 230VAC | | | |
| | Input Current | 0.05A @ 230VAC | | | |
| | Inrush Current (Typ.) | COLD START Max. 2A @ 230VAC | | | |
| | Total Harmonic Distortion (THD) | THD≤15@ Full load/230Vac | | | |
| | Leakage Current | < 0.5mA/230VAC | | | |
| | Standby Power Consumption | < 0.5W | | | |
| Control | Anti Surge | L-N:500V | | | |
| | Dimming Interface | DALI Device Type 8(DALI consumption < 2mA)/ PUSH | | | |
| | Dimming Range | 0.1%-100% | | | |
| | Dimming Method | Hybrid(PWM+PFM) dimming | | | |
| Dimming Curve | Linear /Logarithmic option | | | | |
| Protection | Short Circuit | Yes, auto recovery after fault removed | | | |
| | Over Voltage | Yes, auto recovery after fault removed | | | |
| | Over Temperature | Yes, recovers automatically after temperature drop | | | |
| Environment | Working Temp. | -20°C ~ +45°C | | | |
| | Max. Case Temp. | 10% ~ 95% RH non-condensing | | | |
| | Working Humidity | 85°C (Ta="45°C") | | | |
| | Storage Temp. & Humidity | -40°C ~ +80°C, 10% ~ 95% RH | | | |

| | | |
|------------|----------------------|---|
| Safety&EMC | Safety Standards | EN61347-1, EN61347-2-13 |
| | Withstand Voltage | I/P-O/P: 3.75KVAC |
| | EMC Emission | EN55015, EN61000-3-2, EN61000-3-3 |
| | EMC Immunity | EN61547, EN61000-4-2,3,4,5,6,8,11 |
| Others | Isolation Resistance | I/P-O/P: 100M ohms /500VDC /25°C /70% RH |
| | MTBF | 190450H, MIL-HDBK-217F @ 230VAC at full load and 25°C ambient temperature |
| | Dimension | Φ57*24 mm (Φ*H) |
| | Warranty | 5 Years |

- In compliance with IEC 62386-101:2014, IEC 62386-102:2014, IEC 62386-207 Ed2.IEC 62386-209:2011
- Built-in DALI-2/Push interface, DALI DT8 device
- Dimmable LED driver. Max. output power 9W
- 2 channel 350~700mA constant current output, select by DIP switch
- Class 2 power supply, full isolated plastic case
- High power factor and efficiency
- To switch and dim Tunable White LED lighting fixtures
- Hybrid(PWM+PFM) dimming, smooth and deep dimming to 0.1%
- Compatible with universal DALI masters that support DT8 commands
- Error report function
- IP20 rating, suitable for indoor LED lighting applications
- 5 years warranty

Safety & Warnings

- DO NOT install with power applied to device.
- DO NOT expose the device to moisture.

Operation

DALI Address

1 DALI addresses for 2 channel output is assigned by DALI Master controller automatically, please refer to user manuals of compatible DALI Masters for specific operations.

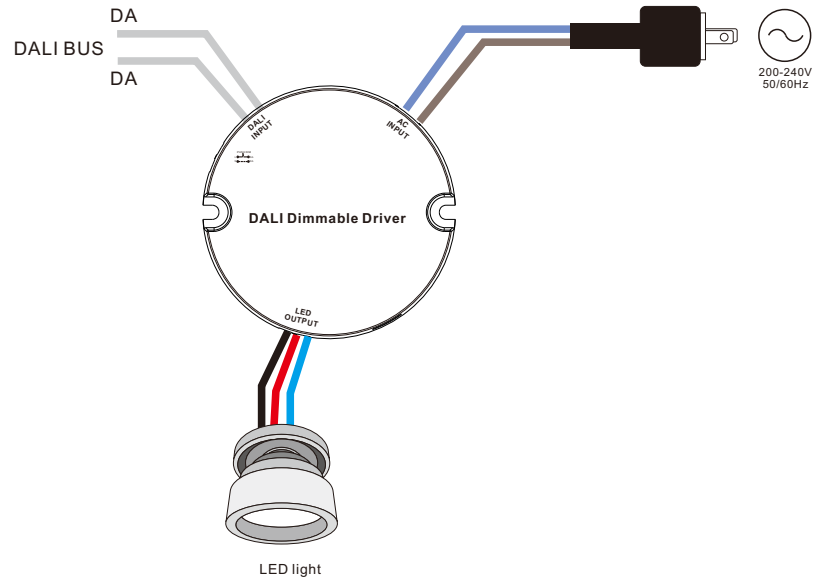
Push Dimmer Mode

While connected with a AC PUSH, the digital display will show "PD" which means Push Dimmer Mode, operations under Push Dimmer Mode are as follows:

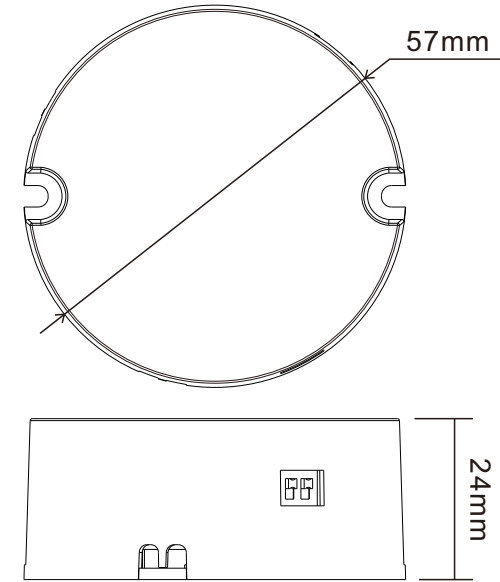
- 1.1. Click the button to switch ON/OFF
- 1.2. Press and hold down the button to increase or decrease light intensity to desired level and release it, then repeat the operation to adjust light intensity to opposite direction. The dimming range is from 0.1% to 100%.
- 1.3. Memory function after power off or power failure enables the device to memorize the status before power off while power on again.

Wiring Diagram

With DALI bus



Dimension



2. With PUSH dimmer

