

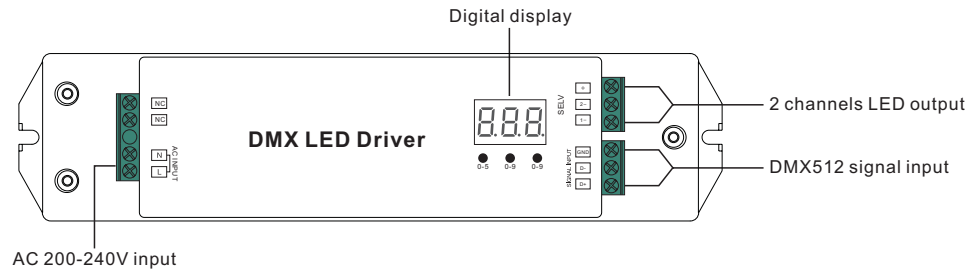
50W DMX512 LED Driver(Constant Voltage)

09.21650W.04304



Important: Read All Instructions Prior to Installation

Function introduction



Product Data

Output	DC Voltage	12V DC	24V DC
	Max. Current	Max. 4.16A/ch, ch1+ch2=4.16A	Max. 2.08A/ch, ch1+ch2=2.08A
	Rated Power	max. 50W	
Input	Voltage Range	200-240V AC	
	Frequency	50/60Hz	
	Power Factor (Typ.)	>0.93	
	Efficiency (Typ.)	86% @ 230VAC	
	Input Current (Typ.)	0.27A @ 230VAC	
	Inrush Current (Typ.)	COLD START Max. 2A at 230VAC	
Protection	Short Circuit	Yes, auto recovery after fault removed	
	Over Voltage	Yes, auto recovery after fault removed	
	Over Temperature	Yes, auto recovery after fault removed	
Environment	Working Temp.	-20°C ~ +45°C	
	Max. Case Temp.	75°C	
	Working Humidity	10% ~ 95% RH non-condensing	
	Storage Temp. & Humidity	-40°C ~ +80°C, 10% ~ 95% RH	

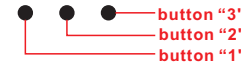
Safety&EMC	Safety Standards	ENEC EN61347-1, EN61347-2-13 approved
	Withstand Voltage	I/P-O/P: 3.75KVAC
	EMC Emission	EN55015, EN61000-3-2, EN61000-3-3
	EMC Immunity	EN61547, EN61000-4-2,3,4,5,6,8,11, surge immunity Line-Line 1KV
Others	MTBF	193.6K hrs min.@ 230VAC at full load and 25°C ambient temperature
	Dimension	210*50*32mm (L*W*H)

- Dimmable LED driver
- Max. output power 50W total
- 2 channels DC 12/24V constant voltage output
- Class II power supply, full isolated plastic case
- High power factor and efficiency
- To switch and dim single color or CCT color LED lighting
- Standard DMX512 compliant control interface, enable to set the DMX address freely. And show address Via digital numeric display.
- IP20 rating, suitable for indoor LED lighting applications
- 5 years warranty

Safety & Warnings

- DO NOT install with power applied to device.
- DO NOT expose the device to moisture.

Set DMX Address Manually Via Buttons



- 1.1 Press and hold down **button "1"** until numeric digital display flashes, then release the button.
- 1.2 Click any of the 3 buttons once to select a digit, click again to change the digit until the desired DMX address appears. Click **button "1"** to set "hundreds" position, **button "2"** to set "tens" position and **button "3"** to set "units" position.
- 1.3 Then press and hold down any of the 3 buttons until the numeric digital display stops flashing to confirm the setting.

Set Output Channel Quantity



- 1.1. Press and hold down both **button "2"** and **button "3"** until the digital display flashes with "cH", release the buttons.
- 1.2. Click **button "1"** to choose 1 or 2, which means total 1 channel, 2 channels output. Then press and hold down any of the 3 buttons until digital display stops flashing to confirm the setting. Factory default setting is 2 channels output.

NOTE:

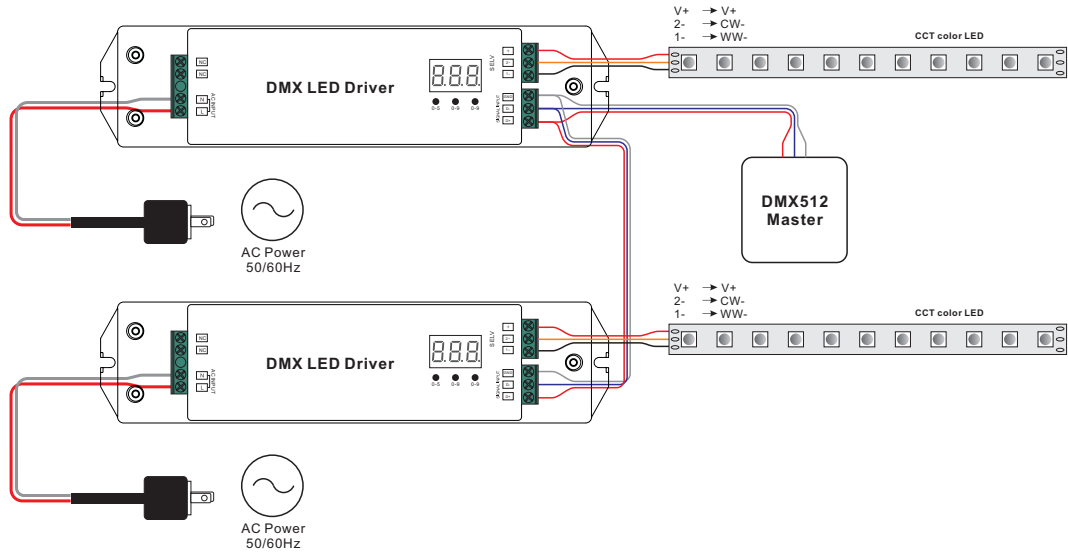
For example, when we set address to 001
When select 1cH, all two channels will be the same address 001.
When select 2cH, channel one will be address 001, channel two will be 002.

Set Output PWM Frequency



- 1.1 Press and hold down both **button "1"** and **button "3"** until digital display flashes with "P_c", release the buttons.
- 1.2 "P" means PWM frequency, 2 PWM frequencies are available, click button "1" to choose "1" or "2", "1" stands for 1500Hz and "2" stands for 200Hz.
- 1.3 "c" means dimming options, 2 options are available, click button "3" to choose "1" or "2", "1" stands for logarithmic dimming and "2" stands for linear dimming.
- 1.4 Press and hold down any of the 3 buttons until digital display stops flashing to confirm setting. Factory default setting is 1-2 which means 1500Hz PWM frequency with linear dimming.

Wiring Diagram



Product Dimension

