

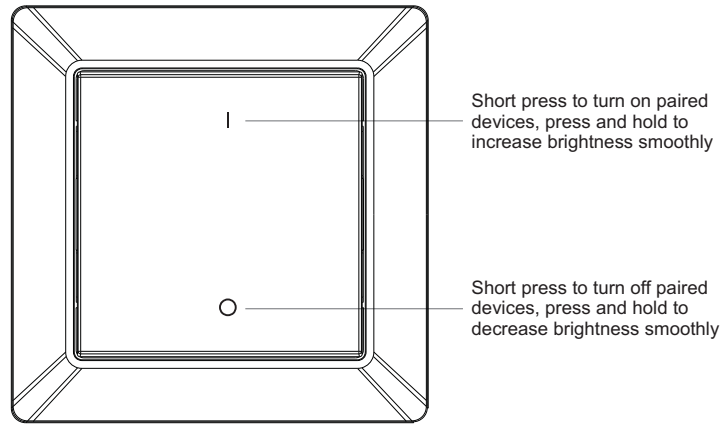
# DIM Zigbee Green Power Switch

70100047



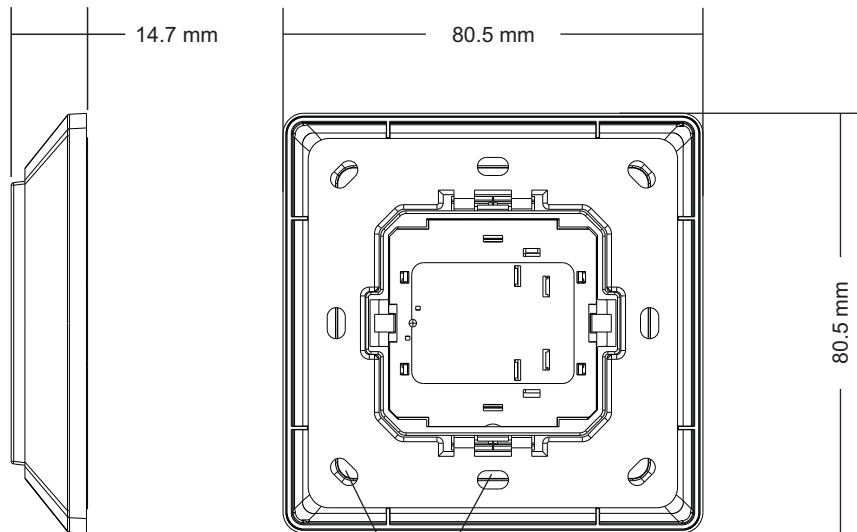
**Important:** Read All Instructions Prior to Installation

## Function introduction



Front side

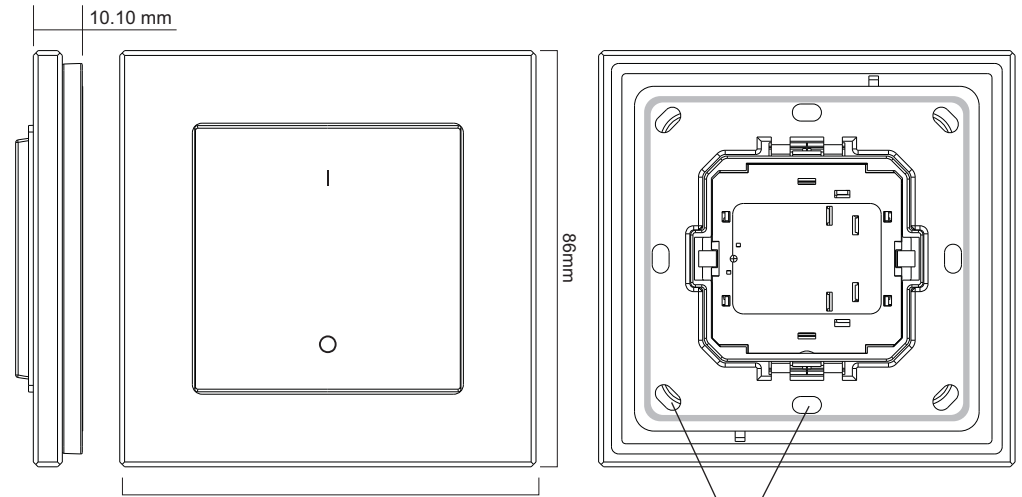
## With Plastic Frame



The remote control can be fixed on the wall with 3M glue or screw.

Back side

## With Glass Frame



The remote control can be fixed on the wall with 3M glue or screw.

## Product Data

Switch Type	DIM control
Transmission Range	10-30m (typical)
Radio Frequency	2.4GHz (Zigbee channels 11-26)
Power Supply	Self-generated when switch is pressed
Buttons	2
Dimensions	80.5x80.5x14.7mm / 86x86x14mm
Operating Temperature	-20 °C ~ +45 °C
Working Humidity	10% ~ 95% RH non-condensing
Waterproof Grade	IP20
Warranty	5 years

## Product Description

The Zigbee green power switch is a wireless transmitter that communicates with a wide variety of Zigbee compatible systems. The switch uses battery-free, energy-harvesting technology. Every time the switch is pressed, a micro-generator produces a small electrical current that powers a built-in transmitter. This transmitter sends wireless radio signals that are used to remotely control a compatible system.

## Compatible With

Zigbee Green Power (included in Zigbee 3.0)

## Safety & Warnings

- DO NOT expose the device to moisture.

## Operations

### Pairing GP Switch to a Compatible Zigbee Light Device:

**Step 1: activate learning to GP switch mode of the compatible light device** (generally our light devices will enter the mode by short pressing “prog.” or “reset” button 4 times, or by resetting power 4 times), please refer to the manual of corresponding light device.

**Step 2: put the GP switch into learning mode.**

To enter into learning mode, start by selecting one button on the switch. (Use the same button for the entire sequence, pressing any other button will exit the learning mode.)

**Next, execute the following sequence:**

1. Press and hold the selected button for over 10 seconds, and then release it.
2. Short press the button once, and then release it.
3. Press and hold the button again for over 10 seconds, and then release it

**The switch has now entered learning mode.**

Wait for approximate 1 second to check whether there is indication on the light device for successful pairing, generally our light device will blink twice to indicate successful pairing.

**Exit learning mode on the switch by pressing any other button on the switch after pairing successfully. Just ignore step 3.**

**If there is no indication, please continue executing step 3.**

**Step 3: Cycle through the sixteen Zigbee channels**

A radio signal needs be sent from the switch to the compatible light device on the correct Zigbee channel, the light device uses one of the sixteen possible channels, automatically set the device. Using the switch, a signal will be sent on each channel until the channel used by the light device is found.

Upon entering learning mode, the signal will be sent by the switch on default channel 11. Please refer to the following chart of the Zigbee channels and the corresponding radio frequencies (in MHZ).

Channel ID	Lower Frequency	Center Frequency	Upper Frequency
11	2404	2405	2406
12	2409	2410	2411
13	2414	2415	2416
14	2419	2420	2421
15	2424	2425	2426
16	2429	2430	2431
17	2434	2435	2436
18	2439	2440	2441
19	2444	2445	2446
20	2449	2450	2451
21	2454	2455	2456
22	2459	2460	2461
23	2464	2465	2466
24	2469	2470	2471
25	2474	2475	2476
26	2479	2480	2481

If there is no indication on the light device for successful pairing, the signal sent by the switch is not on the correct channel, we need to change the switch’s channel.

**To change the switch’s channel, short press the selected button to move from default channel 11 to the next one.** For each such button press, the switch transmits on the next channel.

After each such button press, please wait for approximate 1 second to check whether there is indication on the light device for successful pairing.

If pairing successfully, please exit learning mode on the switch. If channel 26 has been reached, but there is still no indication, it might because the switch has not entered learning mode yet since the very start. We have to repeat the step 2 to put it into learning mode.

**Delete Pairing to a Paired Zigbee Light Device:**

**Step 1: activate delete learning to GP switch mode of the paired light device** (generally our light devices will enter the mode by short pressing “prog.” or “reset” button 3 times, or by resetting power 3 times), please refer to the manual of corresponding light device.

**Step 2: put the GP switch into learning mode.**

To enter into learning mode, start by selecting one button on the switch. (Use the same button for the entire sequence, pressing any other button will exit the learning mode.)

**Next, execute the following sequence:**

1. Press and hold the selected button for over 10 seconds, and then release it.
2. Short press the button once, and then release it.
3. Press and hold the button again for over 10 seconds, and then release it

**The switch has now entered learning mode.**

Wait for approximate 1 second to check whether there is indication on the light device to indicate that pairing is deleted, generally our light device will blink 4 times, which means the pairing is deleted successfully.

**Exit learning mode on the switch by pressing any other button on the switch after pairing deleted. Just ignore step 3.**

**If there is no indication, please continue executing step 3.**

**Step 3: Cycle through the sixteen Zigbee channels**

If there is no indication on the light device to indicate that pairing is deleted, the signal sent by the switch is not on the correct channel, we need to change the switch’s channel.

**To change the switch’s channel, short press the selected button to move from default channel 11 to the next one.** For each such button press, the switch transmits on the next channel.

After each such button press, please wait for approximate 1 second to check whether there is indication on the light device to indicate that pairing is deleted.

If pairing deleted successfully, please exit learning mode on the switch. If channel 26 has been reached, but there is still no indication, it might because the switch has not entered learning mode yet since the very start. We have to repeat the step 2 to put it into learning mode.

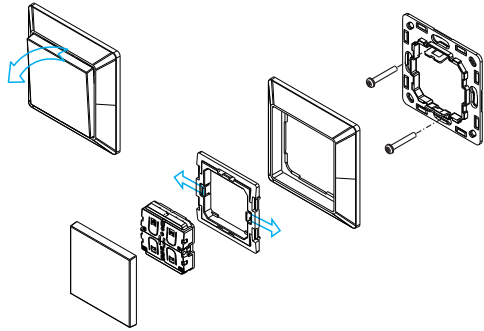
**Signal Repeating Function of the Compatible Light Devices**

The compatible light devices can repeat the received wireless signal from the switch, only when all light devices are added to the same Zigbee network can they repeat the received signal. There are 3 different situations as follows:

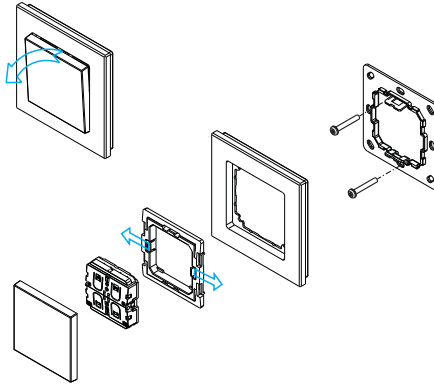
1. If you have a gateway controller and light devices, please add all light devices to the gateway first, then pair the GP switch to all light devices one by one.
2. If you have only light devices and battery/AC powered Zigbee remote, please set up a Zigbee network using the light devices and Zigbee remote, then pair the GP switch to all light devices one by one.
3. If you only have light devices, please use a light device to set up a Zigbee network first, then add other light devices to the network (please refer to the light device manual), then pair the GP switch to other light devices one by one.

## Installation

With Plastic Frame



With Glass Frame



The key part of this controller is a universal, extremely rotary standard switch element that can be integrated in numerous frames by different manufactures as below list:

BEKER	S1, B1, B3, B7 glass
GIRA	Standard55, E2, Event, Esprit
JUNG	A500, Aplus
MERTEN	M-smart, M-Arc, M-Plan