

BLE Dimmer Wallstation With 0-10V Output



Product Datasheet

Please read all instructions before installation

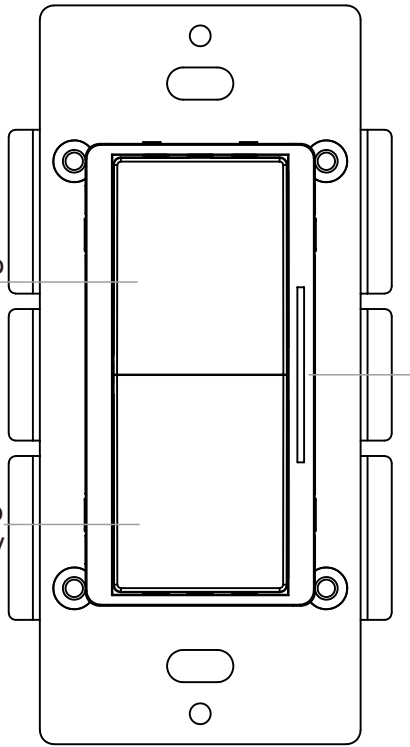


Product info

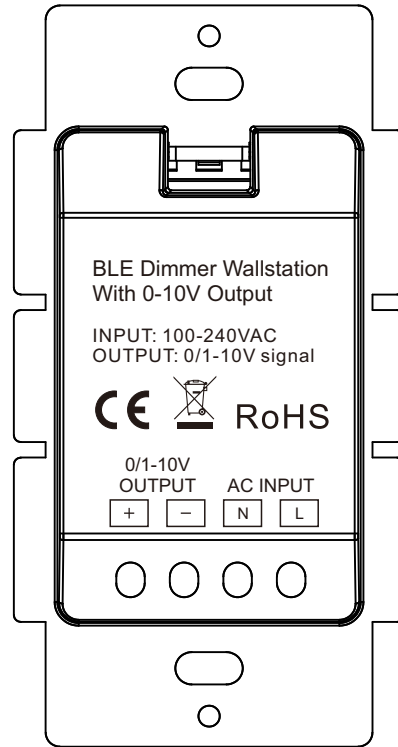
Indicator light: Light intensity can be displayed here

Click to **turn on**,
Press and hold down to
increase light intensity

Click to **turn off**,
Press and hold down to
decrease light intensity



Front



Back

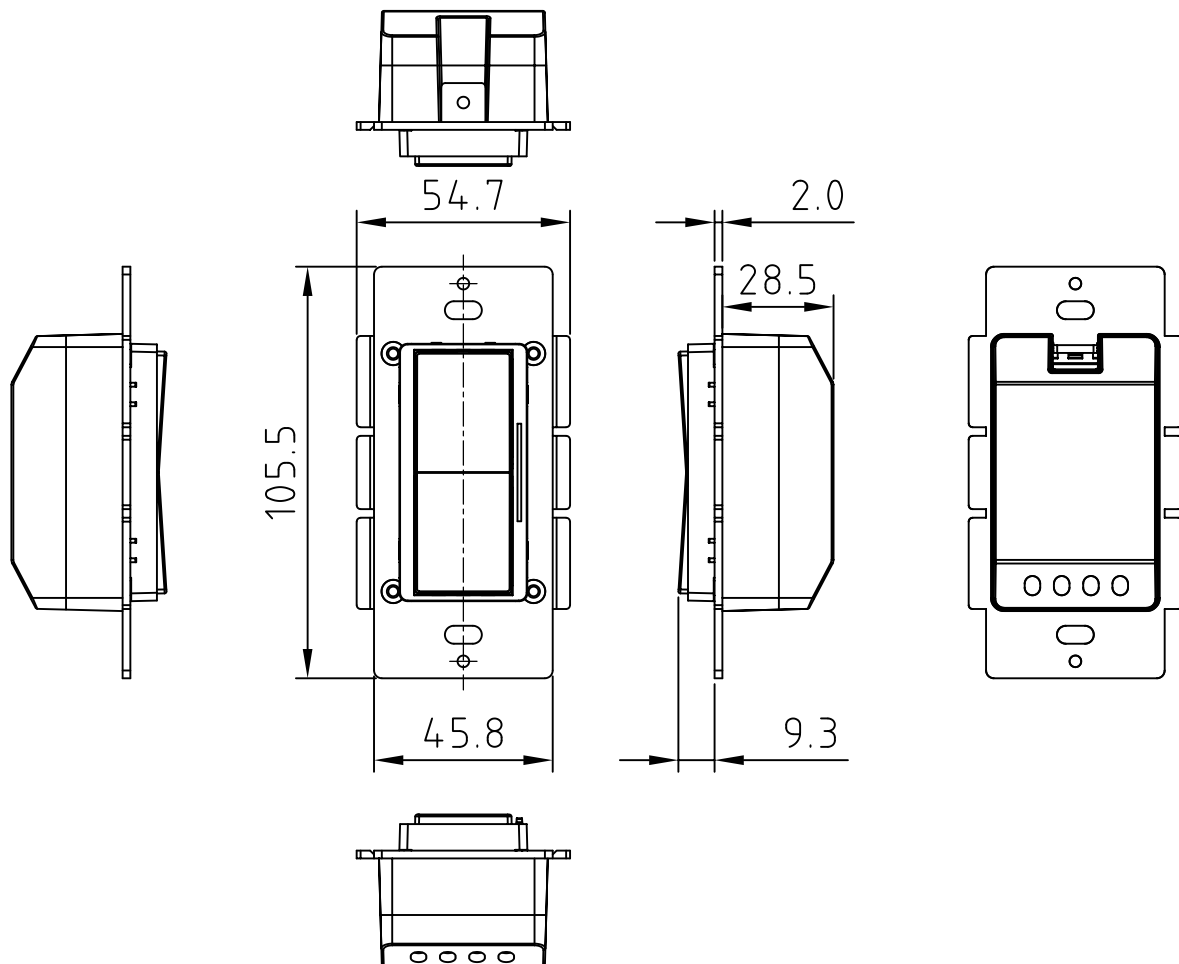
Parameters

Protocol	Bluetooth® mesh
Power Supply	100-240VAC
Output	0-10V Signal (20mA)
Transmission Frequency	2.4GHz
Transmission Range (Open Field)	Min.30m
Protection Type	IP20
Dimming Range	0.1%-100%
Dimensions	54.7x105.5x39.8mm

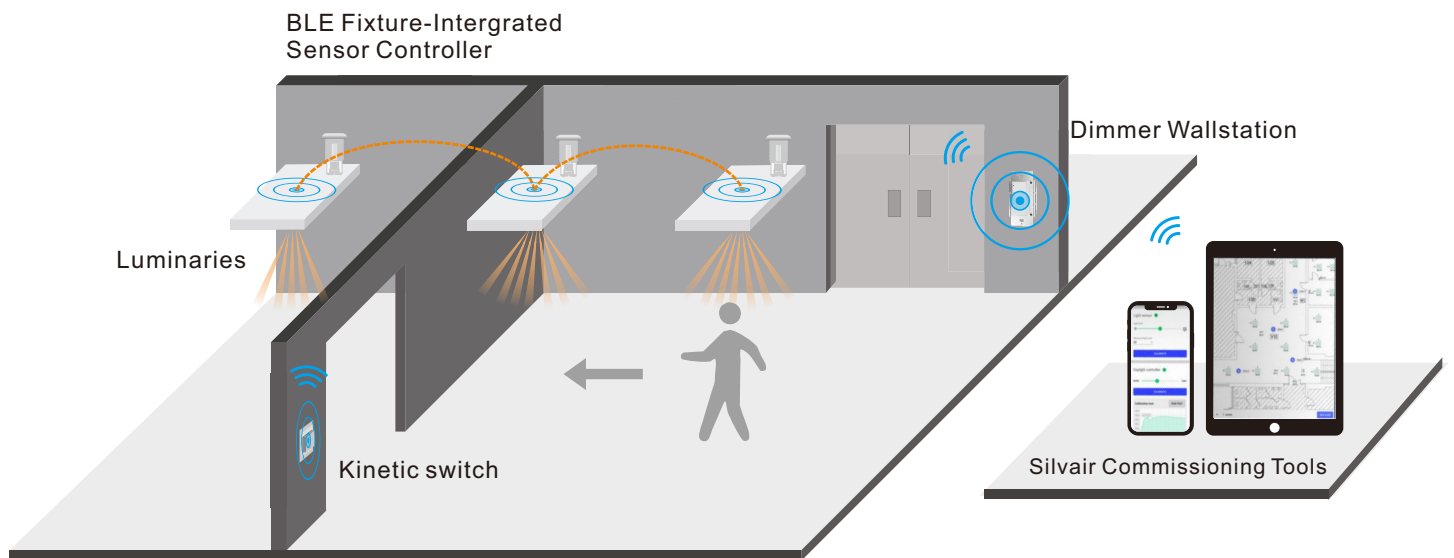
Features

- Dimmer Wallstation with 0-10V output based on Bluetooth® Mesh network
- 100-240VAC powered , built-in 20mA signal output
- On/off , Dimming function through manual control and wireless control
- Mounts in standard wallbox
- Mesh network for further control distance, receivers can transmit signal to each other
- 2.4 GHz global operation
- Transmission range between every two neighbor devices up to 30m
- Standard size, compatible with existing US size frame
- Working with our BLE driver, controller, signal converter, sensor series product.
- UL listed , UL 2043 Plenum Rated
- IPEX antenna
- Waterproof grade: IP20
- 5 years warranty

Dimension



Application



Specifications

COMFORT & CONVENIENCE

- Low/High-end trimming
- Manual control
- Cost-effective solution for energy savings
- Auto and advanced demand response programs
- Zone linking
- Working with 0-10V dimmable drivers

ENVIRONMENT AND APPROBATION

- Operating temperature: -20°C to 55°C
- Agency approbations: CE/RoHS/UL Comming soon...
- Warranty: 5 years

Warning

- DO NOT expose the device to moisture

Operation

- Kindly refer to **Silvair Commissioning User Manual** for further pairing
- Quick press "UP" button on the wallswitch for 5 times , and reflash the device interface on the APP , when the text below shows "connecting to mesh" , means it has been withdrawn from APP

Wiring

