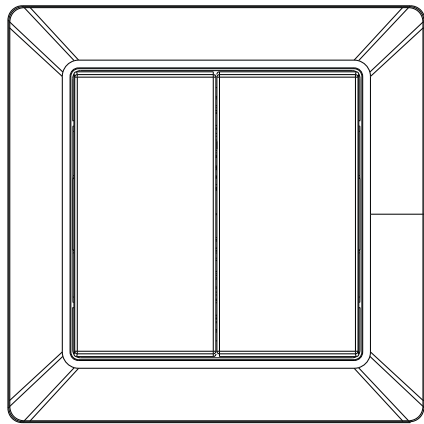


Configurable RF+Bluetooth Smart Switch



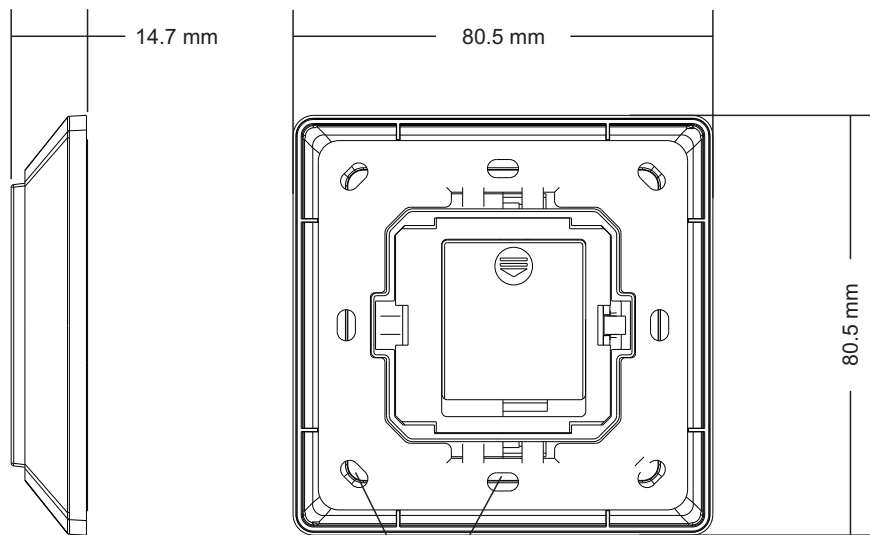
Important: Read All Instructions Prior to Installation

Function introduction



Front side

With Plastic Frame

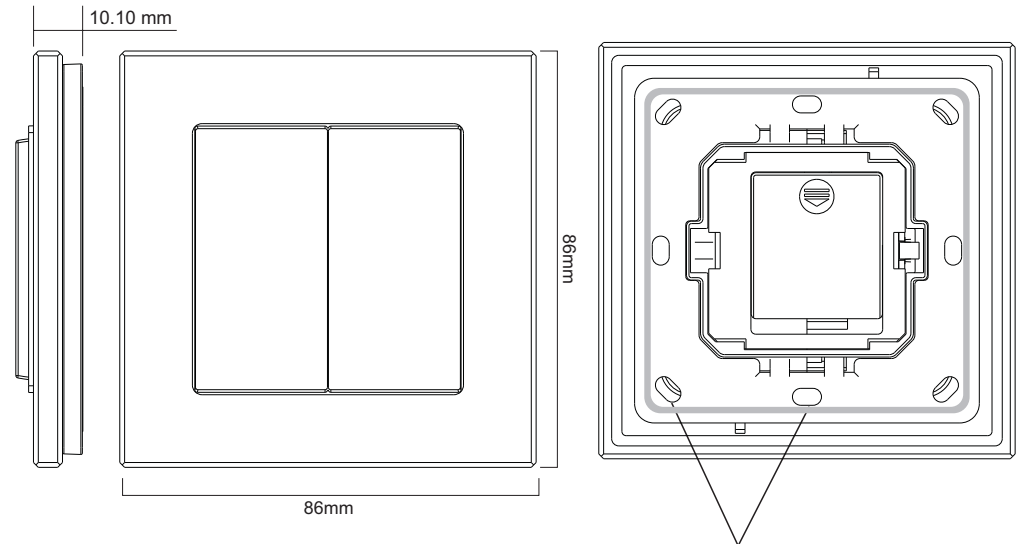


The remote control can be fixed on the wall with 3M glue or screw.

Back side

70200050

With Glass Frame



The remote control can be fixed on the wall with 3M glue or screw.

Product Data

Protocol	RF+Bluetooth
Number of Buttons	4
Power Supply	3VDC(1xCR2430 battery)
Transmission Frequency	2.4GHz
Transmission Range (free field)	30m
Protection Type	IP20
Dimming Range	0.1%-100%
Dimensions	80.5x80.5x14.7mm / 86x86x14mm

- Configurable RF+Bluetooth smart wall switch with 4 buttons
- Battery powered, ultra low power consumption
- Easy & quick pairing to the RF+Bluetooth receivers by simply pushing the buttons
- Configurable through EasyThings APP with numerous functions
- Enables to control ON/OFF, brightness, CCT, RGB colors
- Enables to trigger preset dynamic color sequences, preset scenes or saved scenes in EasyThings APP
- Mesh network for further control distance, receivers can transmit signal to each other
- 2.4 GHz global operation
- The controlled receiver status can be quickly synchronized to the smart APP
- Transmission range between every two neighbor devices up to 30m
- Each receiver can be paired to max. 8 remote controls
- Enables to control universal DIM, CCT, RGB, RGBW and RGB+CCT RF+Bluetooth devices
- Standard size, compatible with existing EU size frame


Safety & Warnings

- This device contains lithium battery that shall be stored and disposed properly.
- DO NOT expose the device to moisture.

Operations

Pair a RF+Bluetooth Receiver to the APP

Step 1: Add the RF+Bluetooth LED receiver to EasyThings APP (please refer to the instruction of EasyThings APP to learn how).

Step 2: Press and hold the added device icon to enter into control interface of the LED receiver, then tap button  at upper right corner to enter into edit page of this device (As shown in **Figure 1** & **Figure 2** & **Figure 3**).

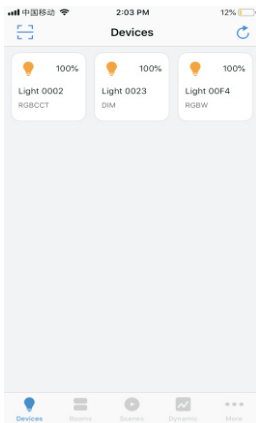


Figure 1

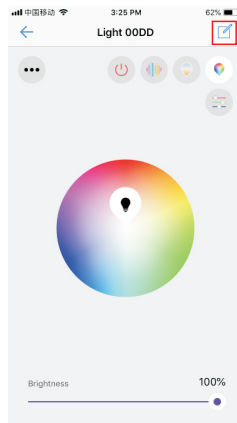


Figure 2

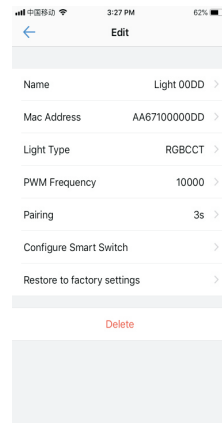



Figure 3

Configure the Smart Switch

Step 1: Tap “Configure Smart Switch” (As shown in **Figure 4**) to go to configuration page. “Link Switch” is the 1st step to configure a coupler, tap “Link Switch” (As shown in **Figure 5**), then choose “Number of Buttons” as 4, 1/2/4 means 1-button/2-button/4-button switch respectively, “Select Button” is to select a button you would like to link, tick and select a button. Then tap the scan button  to scan the QR code or manually input the Switch ID printed at the back side of the switch. Then tap “Link” at the upper right corner, the selected button will be linked to the app. To configure all 4 buttons, you need to select and link the 4 buttons respectively (As shown in **Figure 6**). “Unlink Switch” enables the user to unlink a smart switch from the app by scan QR code or manually input the ID on the back of the switch, the operation is similar to “Link”.

“Custom Switch Action” is to configure the function of a linked switch, tap “Custom Switch Action” to enter into setting page of a linked switch (As shown in **Figure 7** & **Figure 8**).

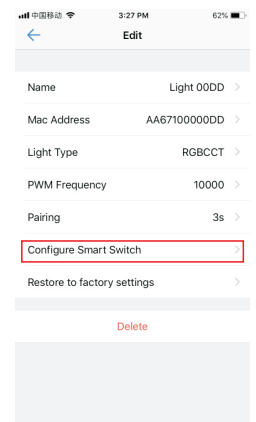


Figure 4

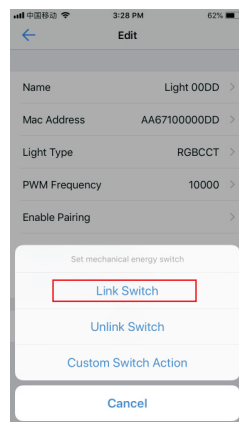


Figure 5

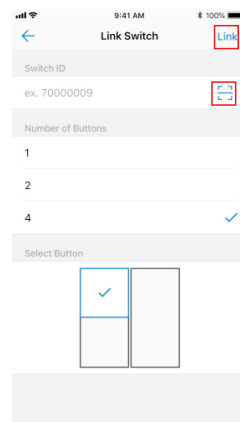


Figure 6

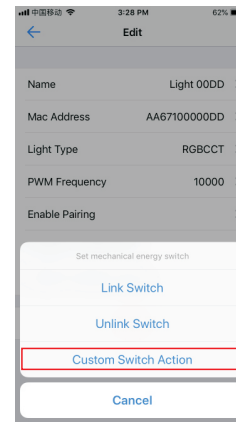


Figure 7

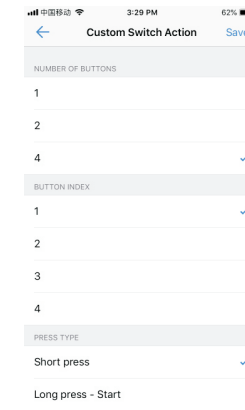


Figure 8

Step 2: “NUMBER OF BUTTONS” is to choose the number of push buttons of the switch (1/2/4 buttons), choose 4 here (As shown in **Figure 8**). “BUTTON INDEX” is to choose a button that you would like to configure (As shown in **Figure 8**). “PRESS TYPE” is to choose an operation of the button for example “Short press” (As shown in **Figure 8**). After choosing an operation, the available functions can be triggered by the operation will be listed, tap to choose a function that you would like to assign to the operation (As shown in **Figure 9** & **Figure 10**).

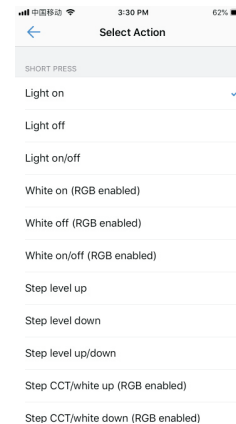


Figure 9

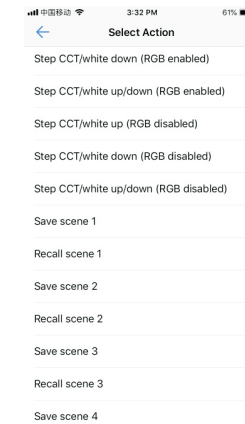


Figure 10

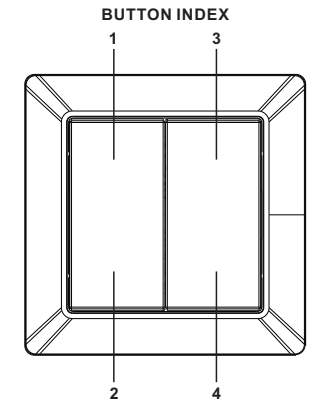


Figure 11

For the configuration of “Long press” operation of a button, 2 steps should be executed, **step 1** is to configure “Long press start” which means the button is pressed without releasing, **step 2** is to configure “Long press end” which means the button is released.

Meanings of the available configurable actions for “Long press start” are as follows (As shown in **Figure 12**, **Figure 13**):

Move level up: dim up brightness.

Move level down: dim down brightness.

Move level up/down: first operation to dim up brightness, second operation to dim down brightness.

Move CCT/white up (RGB enabled): for RGCCT or RGBW devices, increase WW and decrease CW, or increase W channel, RGB channels are enabled.

Move CCT/white down (RGB enabled): for RGCCT or RGBW devices, increase CW and decrease WW, or decrease W channel, RGB channels are enabled.

Move CCT/white up/down (RGB enabled): for RGCCT devices, first operation to increase WW and decrease CW, second operation to decrease WW and increase CW, for RGBW devices, first operation to increase W channel, second operation to decrease W channel, RGB channels are enabled.

Move CCT/white up (RGB disabled): for RGCCT or RGBW devices, increase WW and decrease CW, or increase W channel, RGB channels are disabled.

Move CCT/white down (RGB disabled): for RGCCT or RGBW devices, increase CW and decrease WW, or decrease W channel, RGB channels are disabled.

Move CCT/white up/down (RGB disabled): for RGCCT devices, first operation to increase WW and decrease CW, second operation to decrease WW and increase CW, for RGBW devices, first operation to increase W channel, second operation to decrease W channel, RGB channels are disabled.

Move RGB mix fade up (CCT/White enabled): for RGCCT or RGBW devices, RGB colors mix fade up, CCT channels or white channel are enabled.

Move RGB mix fade down (CCT/White enabled): for RGCCT or RGBW devices, RGB colors mix fade down, CCT channels or white channel are enabled.

Move RGB mix fade up/down (CCT/White enabled): for RGCCT or RGBW devices, first operation means RGB colors mix fade up, second operation means RGB colors mix fade down, CCT channels or white channel are enabled.

Move RGB mix fade up (CCT/White disabled): for RGCCT or RGBW devices, RGB colors mix fade up, CCT channels or white channel are disabled.

Move RGB mix fade down (CCT/White disabled): for RGCCT or RGBW devices, RGB colors mix fade down, CCT channels or white channel are disabled.

Move RGB mix fade up/down (CCT/White disabled): for RGCCT or RGBW devices, first operation means RGB colors mix fade up, second operation means RGB colors mix fade down, CCT channels or white channel are disabled.

Move speed up: speed up the RGB color running effects.

Move speed down: speed down the RGB color running effects.

Save scene 1/2/3/4: save current status as a scene.

Recall scene 1/2/3/4: recall the saved scene.

Meanings of the available configurable actions for “Long press end” are as follows (As shown in Figure 14):

Move level stop: stop dim up/down the brightness when button released.

Move CCT/white stop (RGB enabled): for RGCCT or RGBW devices, stop adjusting color temperature or white channel when button released, RGB channels are enabled.

Move CCT/white stop (RGB disabled): for RGCCT or RGBW devices, stop adjusting color temperature or white channel when button released, RGB channels are disabled.

Move RGB mix fade stop (CCT/White enabled): for RGCCT or RGBW devices, stop RGB colors mix fade when button released, CCT channels or white channel are enabled.

Move RGB mix fade stop (CCT/White disabled): for RGCCT or RGBW devices, stop RGB colors mix fade when button released, CCT channels or white channel are disabled.

Move speed up/down stop: stop speeding up/down the RGB color running effects when button released.

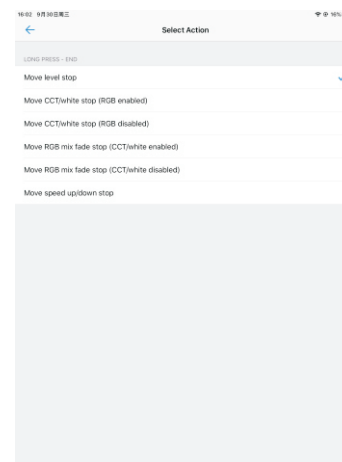
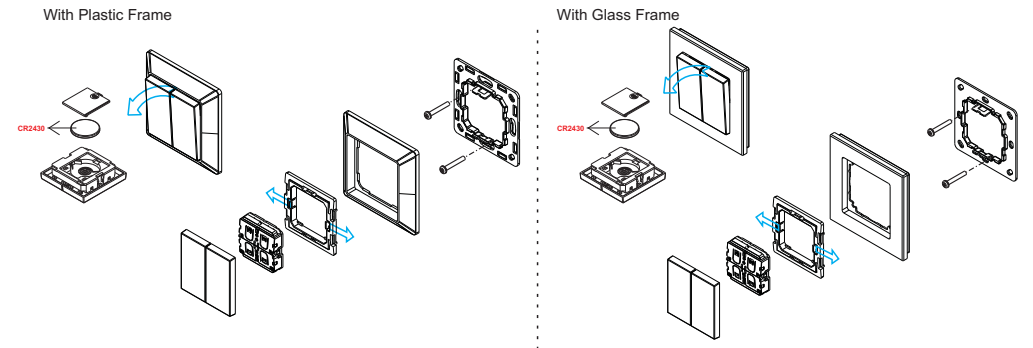


Figure 14

Step 3: Configure the 4 buttons one by one, the corresponding buttons of button index is as shown in Figure 11, please make sure the up direction of the switch is installed upward correctly according to the direction label on the back.

Step 4: Once configured successfully, the switch can control the paired LED receiver with the configured functions. Each receiver can be paired to max. 8 switches.

Installation



The key part of this controller is a universal, extremely rotary standard switch element that can be integrated in numerous frames by different manufactures as below list:

BERKER	S1, B1, B3, B7 glass
GIRA	Standard55, E2, Event, Esprit
JUNG	A500, Aplus
MERTEN	M-smart, M-Arc, M-Plan

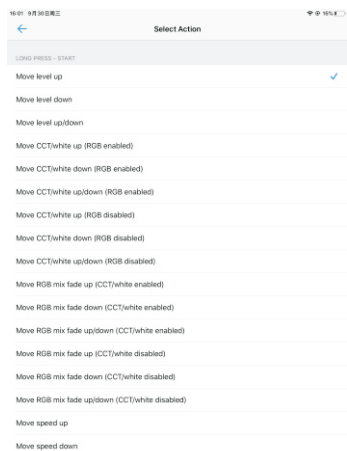


Figure 12

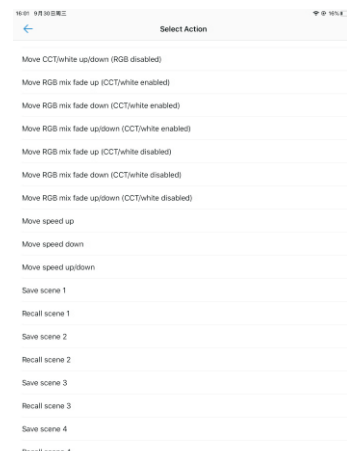


Figure 13