

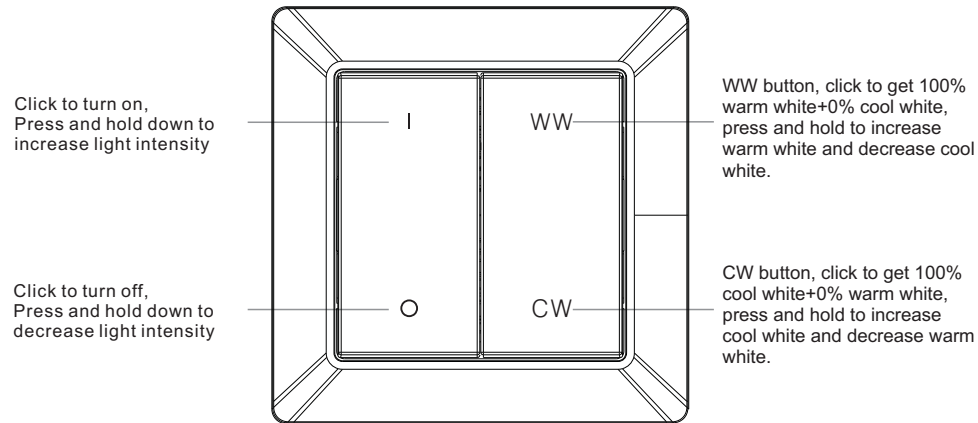
# Self Powered RF+Bluetooth CCT Remote Controller

7020018



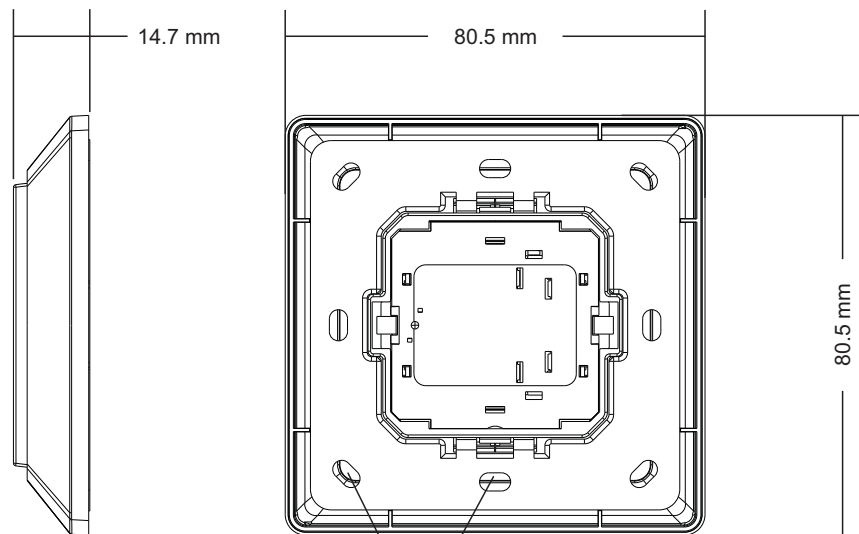
**Important:** Read All Instructions Prior to Installation

## Function introduction



Front side

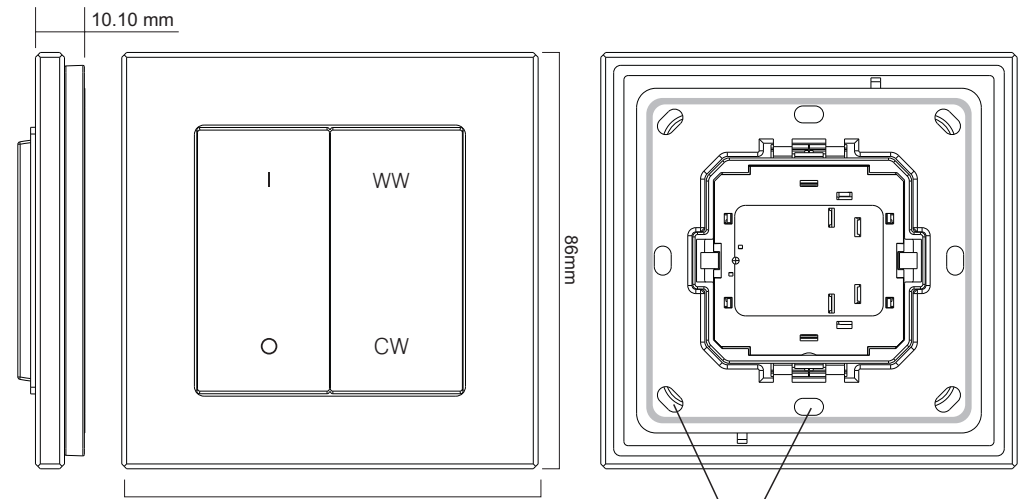
## With Plastic Frame



The remote control can be fixed on the wall with 3M glue or screw.

Back side

## With Glass Frame



The remote control can be fixed on the wall with 3M glue or screw.

## Product Data

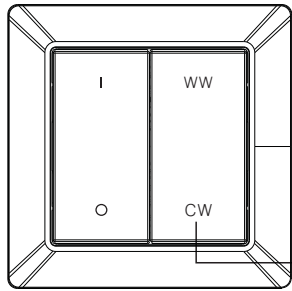
Protocol	RF+Bluetooth
Power Supply	Self powered by built-in nano generator
Transmission Frequency	2.4GHz
Transmission Range (free field)	30m
Protection Type	IP20
Dimming Range	0.1%-100%
Dimensions	80.5x80.5x14.7mm / 86x86x14mm

- CCT wall remote based on RF+Bluetooth Mesh
- Self-powered wall remote, no battery replacement & re-installation costs
- No wires, no batteries, no limits
- Ultra long lifetime, more than 1 million times pushing
- Easy & quick pairing to the RF+Bluetooth receivers by simply pushing the buttons
- Enables to control 1 zone of receivers
- Mesh network for further control distance, receivers can transmit signal to each other
- 2.4 GHz global operation
- The controlled receiver status can be quickly synchronized to the smart APP
- Transmission range between every two neighbor devices up to 30m
- Each receiver can be paired to max. 8 remote controls
- Enables to control universal CCT RF+Bluetooth devices
- Standard size, compatible with existing EU size frame

## Safety & Warnings

- DO NOT expose the device to moisture.

## Pair with RF+Bluetooth receiver



**Step 1:** Do wiring the RF+Bluetooth receiver according to wiring diagram (please refer to the instruction of RF receiver that you would like to pair with)



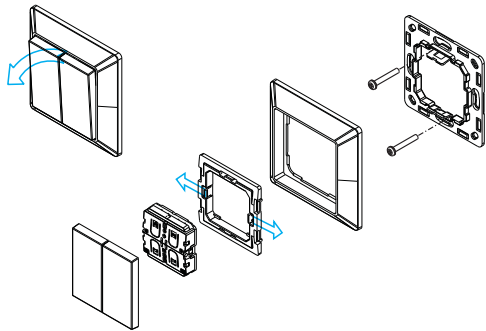
**Step 2:** Click the "Prog. Key" or "Reset" button on RF+Bluetooth receiver (or reset power of the receiver 3 times continuously if the button is not accessible) to set it into pairing to RF remote status

**Step 3:** Click any of the 4 buttons on the remote, e.g. button CW. LED lights connected with the receiver flicker once means the receiver is paired to the remote successfully.

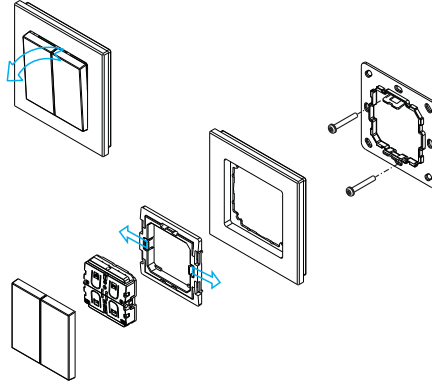
**Note:** one receiver can be paired with max 8 remote controls.

## Installation

With Plastic Frame



With Glass Frame



The key part of this controller is a universal, extremely rotary standard switch element that can be integrated in numerous frames by different manufactures as below list:

BEKER	S1, B1, B3, B7 glass
GIRA	Standard55, E2, Event, Esprit
JUNG	A500, Aplus
MERTEN	M-smart, M-Arc, M-Plan