



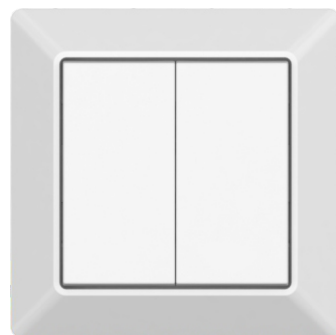
Work with Sunsmart

BLE Battery Powered Push Button Switch

SR-SBP2801K4-BLE-E

Features

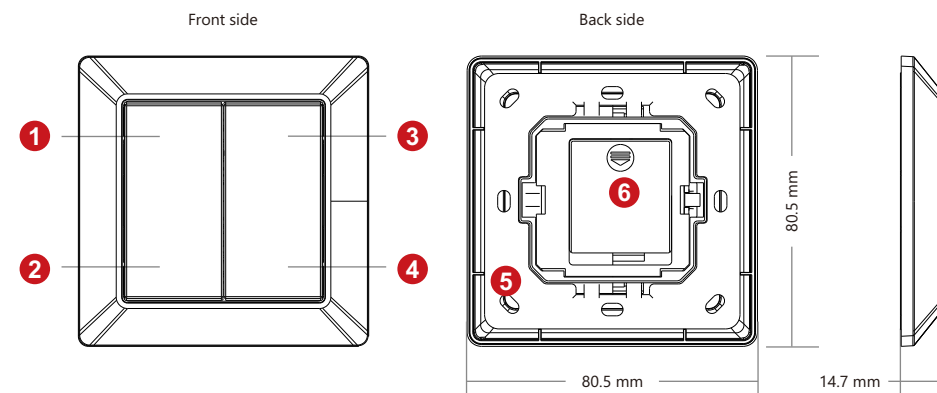
- CCT wall remote based on Bluetooth® Mesh network
- Battery powered , ultra-low power consumption
- Ultra long lifetime, more than 1 million times pushing
- Easy & quick pairing through APP
- Mesh network for further control distance, receivers can transmit signal to each other
- 2.4 GHz global operation
- Transmission range between every two neighbor devices up to 30m
- Standard size, compatible with existing EU size frame
- Working with our BLE driver, controller, signal converter, sensor series product
- On-board antenna
- Waterproof grade: IP20
- 5 years warranty



Parameters

Protocol	Bluetooth® mesh
Power Supply	3VDC(1xCR2430 Battery)
Transmission Frequency	2.4GHz
Transmission Range(free field)	Min.30m
Protection Type	IP20
Dimming Range	0.1%-100%
Dimensions	80.5x80.5x14.7mm

Product info



- ① Click to turn on, press and hold down to increase light intensity.
- ② Click to turn off, press and hold down to decrease light intensity.
- ③ CW button: click to recall the scene, press and hold to increase cool white.
- ④ WW button: click to recall the scene, press and hold to increase warm white.
- ⑤ The remote control can be fixed on the wall with 3M glue or screw.
- ⑥ Battery: CR2430. Before the first use, please open the battery cover and remove the protective film.

NOTE: In order for switches to operate as described above, our BLE Switch Module should be mounted, and please make sure the “I” label is placed above the “O” label.





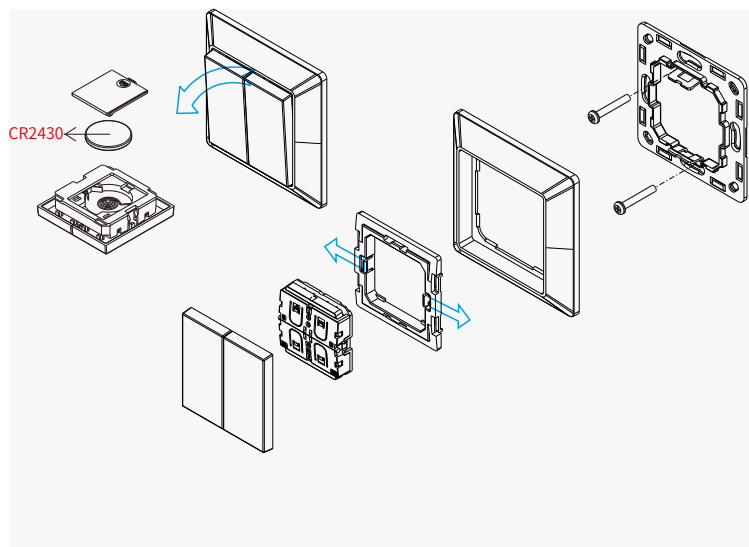
BLE Battery Powered Push Button Switch

SR-SBP2801K4-BLE-E

Work with Sunsmart



Installation



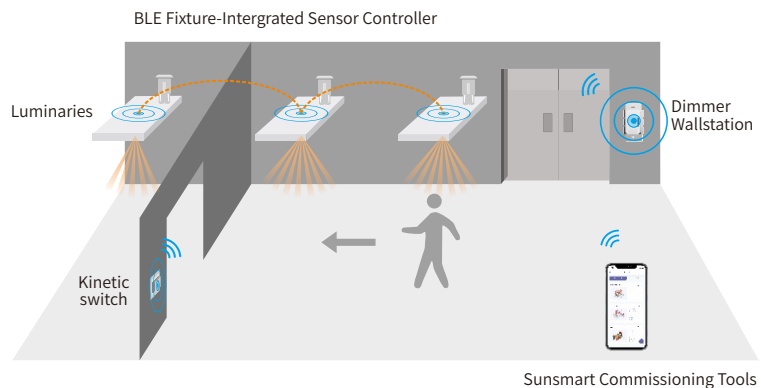
Warning

- DO NOT expose the device to moisture.

Operation

- Kindly refer “Sunsmart Commissioning User Manual” for further pairing, grouping, scene settings.
- Kindly refer “Sunsmart Kinetic Switch Keypad User Manual” to go further pairing, grouping, scene settings.

Application



Update Log

Date	Version	Update Content	Update by
2024-12-19	V1.0	Initial release	Jesse



Subject to change without notice. Please contact us if you have any questions.