

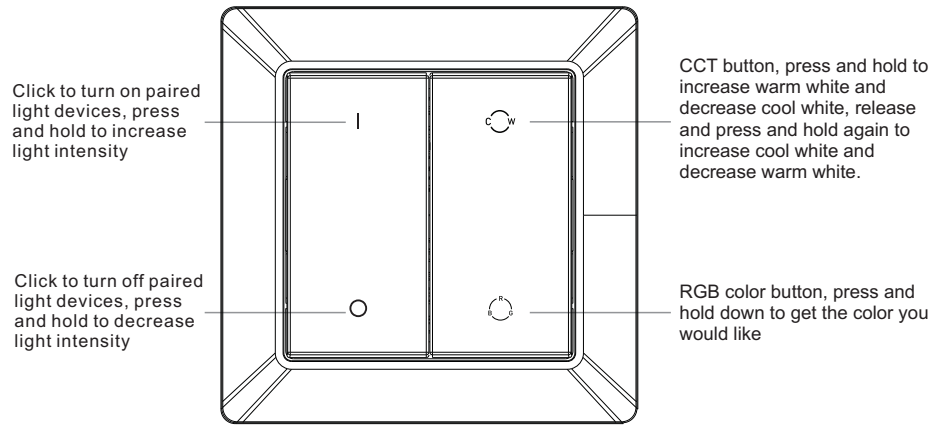
3 in 1 RF+Bluetooth Remote Controller

70200027



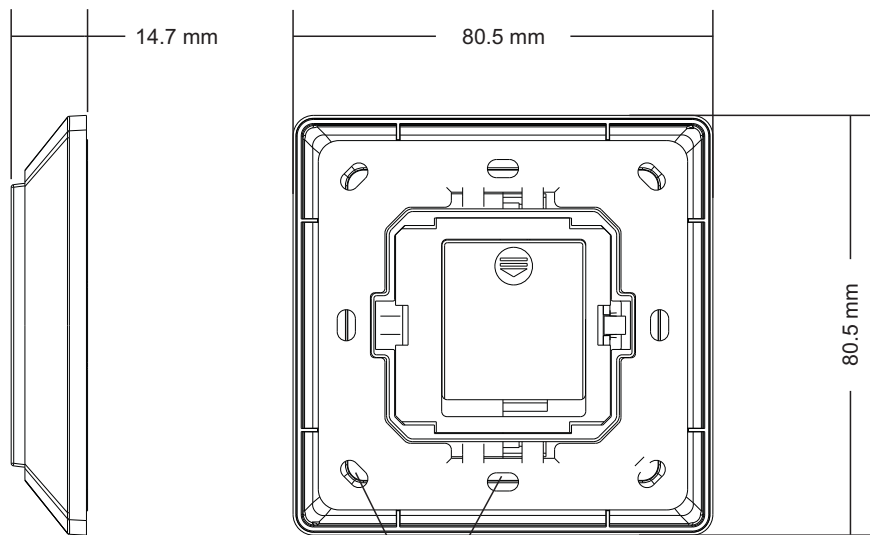
Important: Read All Instructions Prior to Installation

Function introduction



Front side

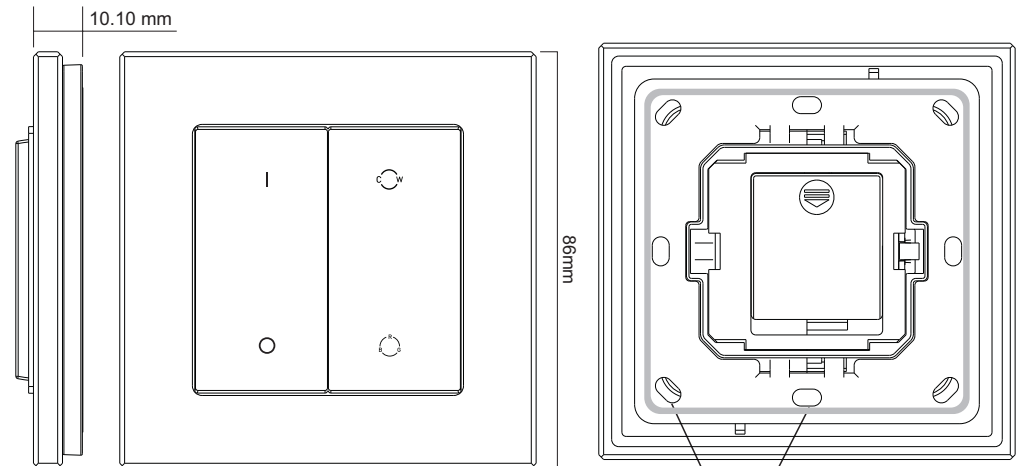
With Plastic Frame



The remote control can be fixed on the wall with 3M glue or screw.

Back side

With Glass Frame



The remote control can be fixed on the wall with 3M glue or screw.

Product Data

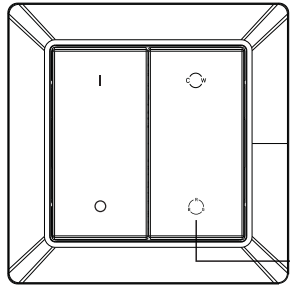
Protocol	RF+Bluetooth
Power Supply	3VDC(1xCR2430 battery)
Transmission Frequency	2.4GHz
Transmission Range (free field)	30m
Protection Type	IP20
Dimming Range	0.1%-100%
Dimensions	80.5x80.5x14.7mm / 86x86x14mm

- RGB, CCT, DIM 3 in 1 wall remote based on RF+Bluetooth Mesh
- Battery powered, ultra low power consumption
- Easy & quick pairing to the RF+Bluetooth receivers by simply pushing the buttons
- Enables to control 1 zone of receivers
- Mesh network for further control distance, receivers can transmit signal to each other
- 2.4 GHz global operation
- The controlled receiver status can be quickly synchronized to the smart APP
- Transmission range between every two neighbor devices up to 30m
- Each receiver can be paired to max. 8 remote controls
- Enables to control universal DIM, CCT, RGB, RGBW and RGB+CCT RF+Bluetooth devices
- Standard size, compatible with existing EU size frame

Safety & Warnings

- DO NOT expose the device to moisture.


Pair with RF+Bluetooth receiver



Step 1: Do wiring the RF+Bluetooth receiver according to wiring diagram (please refer to the instruction of RF receiver that you would like to pair with)

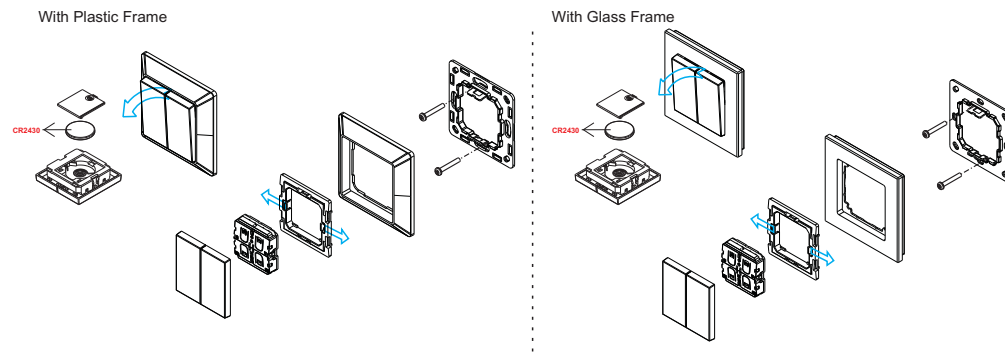


Step 2: Click the "Prog. Key" or "Reset" button on RF+Bluetooth receiver (or reset power of the receiver 3 times continuously if the button is not accessible) to set it into pairing to RF remote status

Step 3: Click any of the 4 buttons on the remote, e.g. button . LED lights connected with the receiver flicker once means the receiver is paired to the remote successfully.

Note: one receiver can be paired with max 8 remote controls.

Installation



The key part of this controller is a universal, extremely rotary standard switch element that can be integrated in numerous frames by different manufactures as below list:

BEKER	S1, B1, B3, B7 glass
GIRA	Standard55, E2, Event, Esprit
JUNG	A500, Aplus
MERTEN	M-smart, M-Arc, M-Plan