

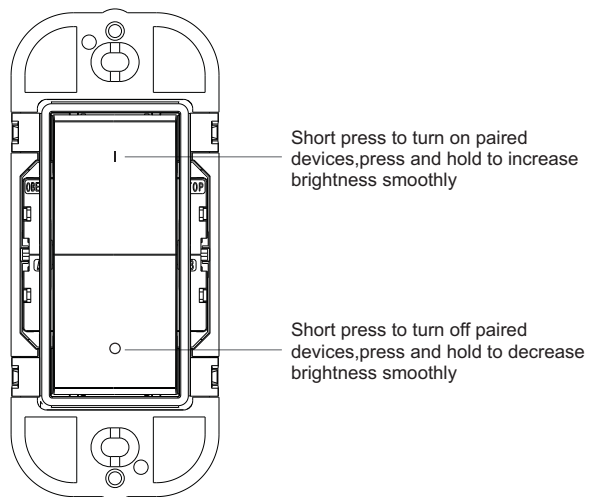
RF+Bluetooth DIM Remote Controller

70200025

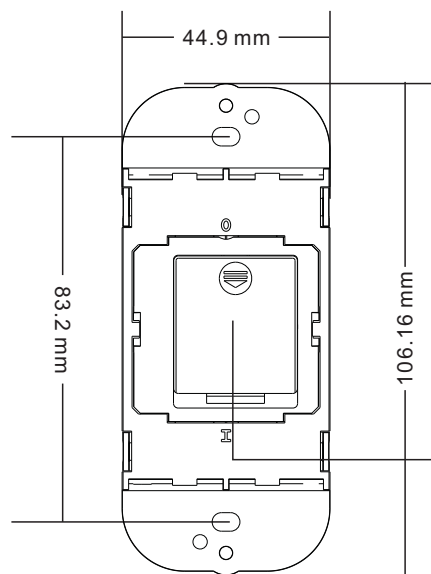
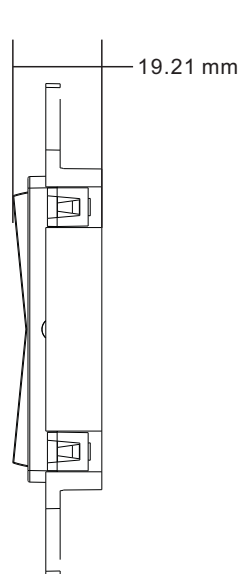


Important: Read All Instructions Prior to Installation

Function introduction



Front side



Back side

Battery: CR2430
Before the first use, please open the battery cover and remove the protective film

Product Data

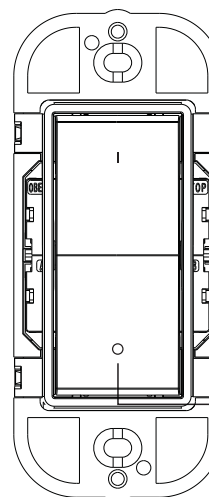
Protocol	RF+Bluetooth
Power Supply	3VDC (1xCR2430 Battery)
Transmission Frequency	2.4GHz
Transmission Range (free field)	30m
Protection Type	IP20
Dimming Range	0.1%-100%
Dimensions	44.9x106.2x19.2mm

- DIM wall remote based on RF+Bluetooth Mesh
- Battery powered, ultra low power consumption
- Easy & quick pairing to the RF+Bluetooth receivers by simply pushing the buttons
- Enables to control 1 zone of receivers
- Mesh network for further control distance, receivers can transmit signal to each other
- 2.4 GHz global operation
- The controlled receiver status can be quickly synchronized to the smart APP
- Transmission range between every two neighbor devices up to 30m
- Each receiver can be paired to max. 8 remote controls
- Enables to control universal DIM RF+Bluetooth light devices
- Standard size, compatible with existing US size frame

Safety & Warnings

- DO NOT expose the device to moisture.

Pair with RF+Bluetooth receiver



Step 1: Do wiring the RF+Bluetooth receiver according to wiring diagram (please refer to the instruction of RF receiver that you would like to pair with)

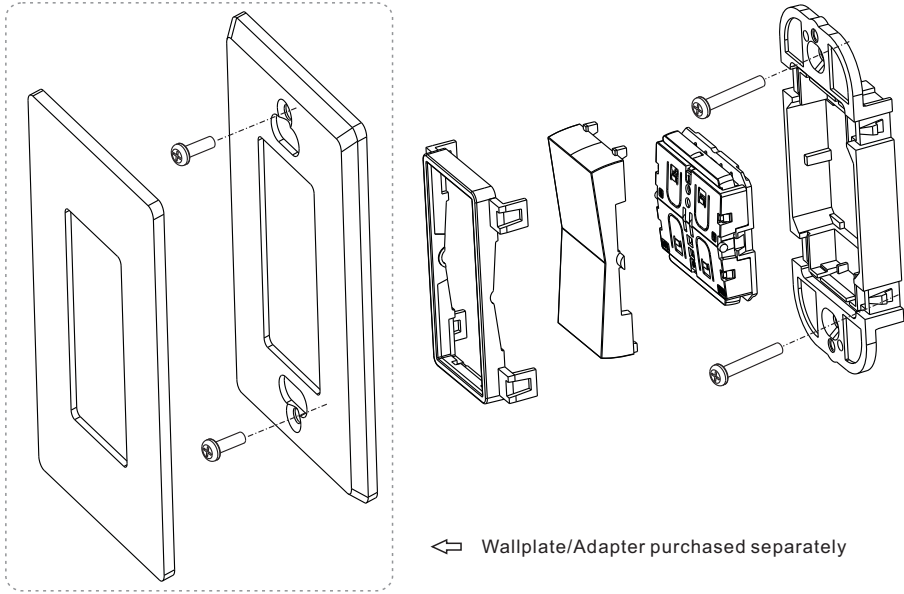


Step 2: Click the "Prog. Key" or "Reset" button on RF+Bluetooth receiver (or reset power of the receiver 3 times continuously if the button is not accessible) to set it into pairing to RF remote status

Step 3: Click any of the 2 buttons on the remote, e.g. button ○ . LED lights connected with the receiver flicker once means the receiver is paired to the remote successfully.

Note: one receiver can be paired with max 8 remote controls.

Installation



← Wallplate/Adapter purchased separately