

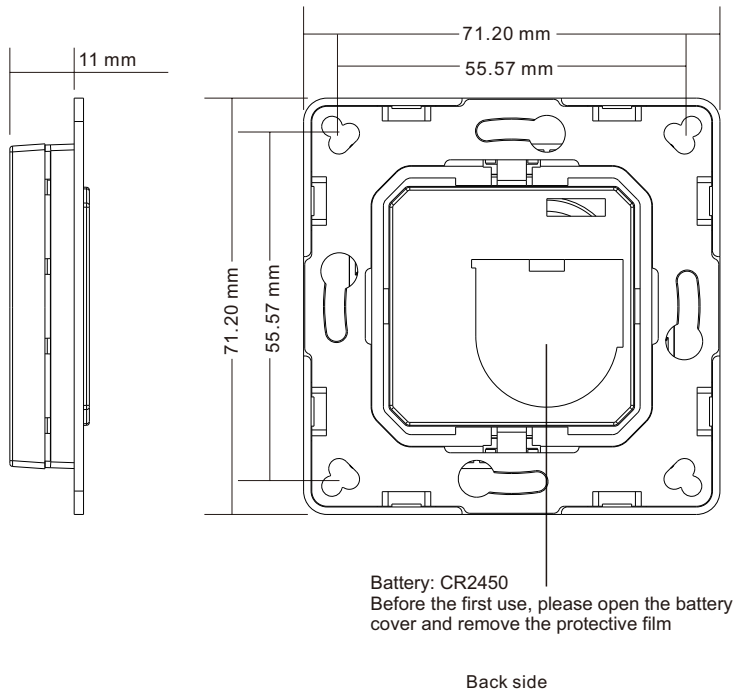
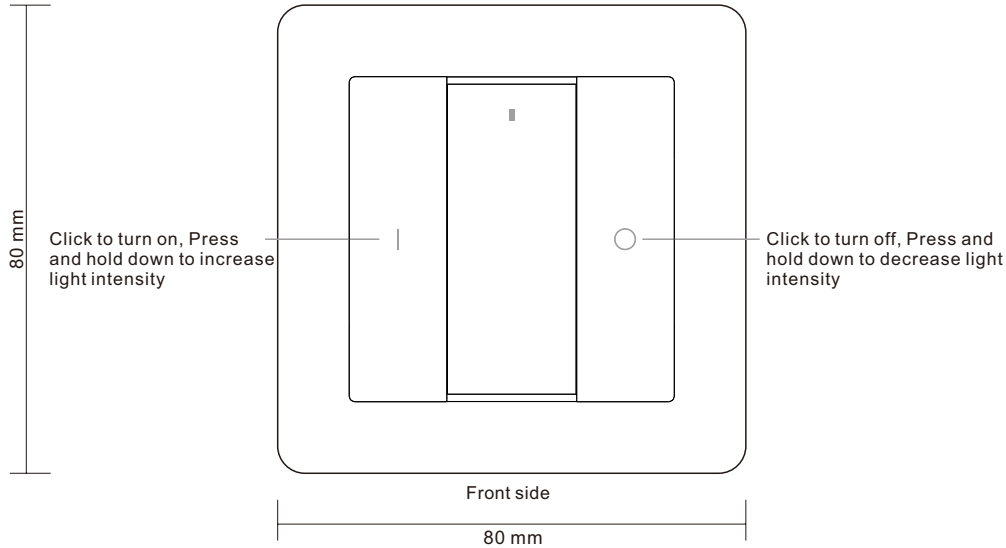
RF+Bluetooth Wall Mounted Remote Controller

70200002



Important: Read All Instructions Prior to Installation

Function introduction



Product Data

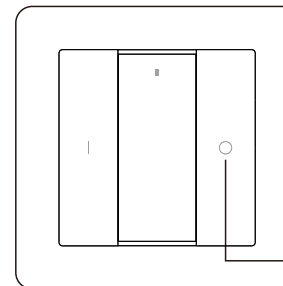
Output	RF+Bluetooth
Operation Frequency	2.4GHz
Power Supply	3V(1xCR2450 battery)
Operating temperature	0-40°C
Relative humidity	8% to 80%
Dimensions	80x80x13.6mm

- RF+Bluetooth DIM wall mounted remote control
- Enables to control 1 zone of receivers
- Easy & quick pairing to the RF+Bluetooth receivers by simply pushing the buttons
- Mesh network for further control distance, receivers can transmit signal to each other
- Each remote can control numerous receivers
- Each receiver can be paired to max. 8 remote controls
- The controlled receiver status can be quickly synchronized to the smart APP
- Transmission range between every two neighbor devices up to 30m
- Bluetooth low power consumption technology, long battery life

Safety & Warnings

- This device contains a button lithium battery that shall be stored and disposed properly.
- DO NOT expose the device to moisture.
- Do not ingest battery, Chemical Burn Hazard
- This product contains a coin / button cell battery. If the coin / button cell battery is swallowed, it can cause severe internal burns in just 2 hours and can lead to death
- Keep new and used batteries away from children.
- If the battery compartment does not close securely, stop using the product and keep it away from children.
- If you think batteries might have been swallowed or placed inside any part of the body, seek immediate medical attention


Pair with RF+Bluetooth receiver



Step 1: Do wiring the RF+Bluetooth receiver according to wiring diagram (please refer to the instruction of RF+Bluetooth receiver that you would like to pair with).



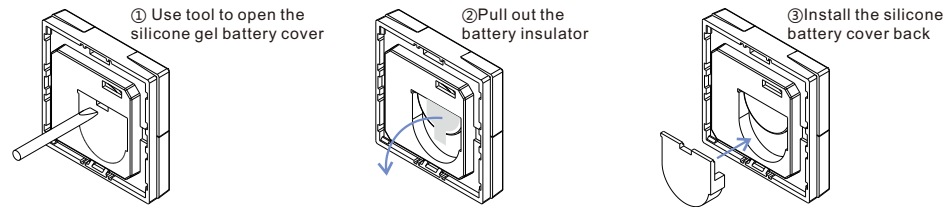
Step 2: Click the "Prog. Key" or "Reset" button on RF+Bluetooth receiver (or reset power of the receiver 3 times continuously if the button is not accessible) to set it into pairing to RF remote status

Step 3: Click any button of the remote (e.g. button ) , LED lights connected with the receiver flicker once means the receiver is paired with the remote successfully.

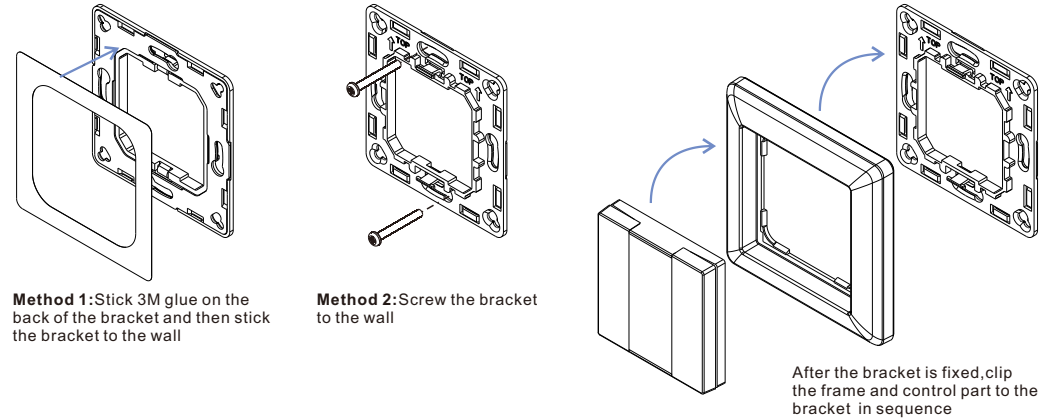
Note: one receiver can be paired with max 8 remote controls.

Installation

1.Remove battery insulator



2.Install the controller to wall(2 methods)



The key part of this controller is a universal, standard size design switch element that can be integrated in numerous frames by different manufactures as below list:

BERKER	S1, B1, B3, B7 glass
GIRA	Standard55, E2, Event, Esprit
JUNG	A500, Aplus
MERTEN	M-smart, M-Arc, M-Plan



CAUTION

Risk of explosion if the battery is replaced by an incorrect type

- replacement of a battery with an incorrect type that can defeat a safeguard (for example, in the case of some lithium battery types);
- disposal of a battery into fire or a hot oven, or mechanically crushing or cutting of a battery, that can result in an explosion;
- leaving a battery in an extremely high temperature surrounding environment that can result in an explosion or the leakage of flammable liquid or gas;
- a battery subjected to extremely low air pressure that may result in an explosion or the leakage of flammable liquid or gas.