

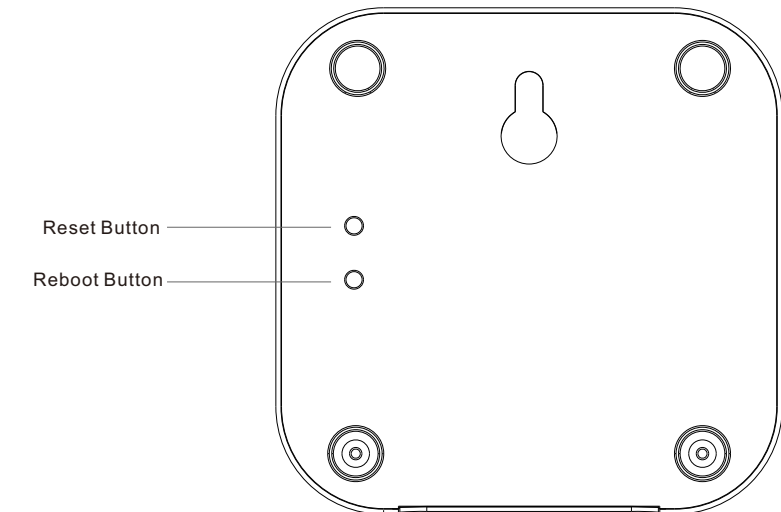
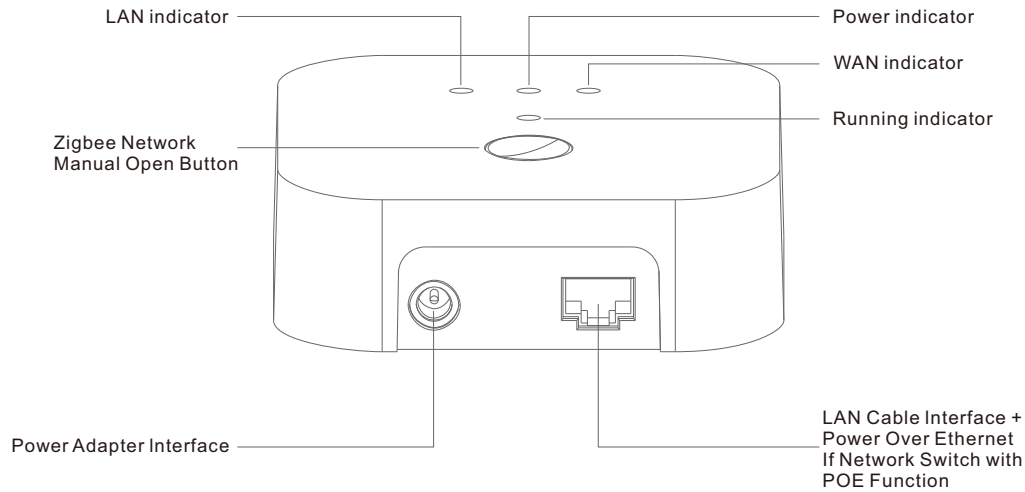
Zigbee Hub + Matter Bridge + Thread Border Router



Important: Read All Instructions Prior to Installation

Function Introduction

This hub is a multi-functional device that can work as a Zigbee Smart Hub, the brain of a Zigbee ecosystem. It can be connected to an Ethernet network and supports interaction with ZigBee accessories via the Azoula Smart app using the ZigBee 3.0 wireless protocol. It can also serve as a Matter bridge, linking all added Zigbee subdevices to the Matter platform. It also supports Matter Thread border router functionality, allowing Matter Thread and Matter WiFi devices to be added directly.



Product Data

| | |
|-----------------------|---------------------------------|
| Radio protocol | Zigbee 3.0 + Matter |
| Operation Frequency | 2.4GHz |
| Power Supply | 5VDC/2A adapter or POE 48-56VDC |
| Operating temperature | -20°C~50°C |
| Relative humidity | 8% to 80% |
| Dimensions | 94x94x29.5mm |

Product Features

- This ZigBee smart hub works with: Zigbee light devices, sensors, heaters, plugs, remotes, GP switches etc.
- Free APP is available for IOS or Android smart phones or tablets.
- Supports group, scene, and automation.
- Supports up to 150 zigbee devices.
- Cloud control enabled, supports voice control through Amazon Alexa and Google Assistant.
- Supports firmware OTA update for the smart hub and Zigbee devices
- Supports Matter Thread Border Router functionality, allowing Matter Thread and Matter Wi-Fi devices to be added directly
- Waterproof grade: IP20

Safety & Warnings

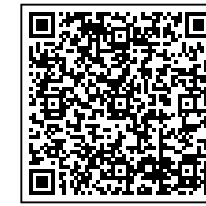
- DO NOT install with power applied to device.
- DO NOT expose the device to moisture.

Download and Install App

Download "Azoula Smart" app from App Store or Google Play or scan the QR codes below. Follow the direction in the app to connect your devices properly.



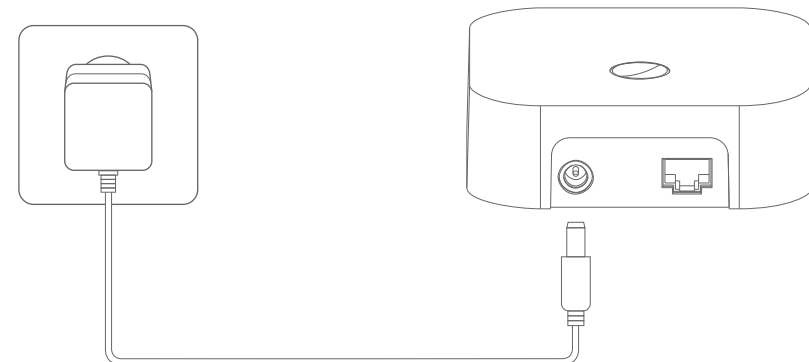
iOS QR Code



Android QR Code

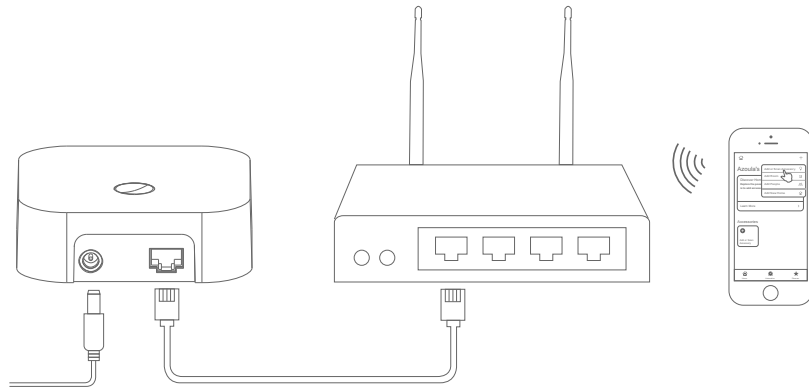
Connect the Smart Hub to power

Connect the power adapter to the Smart Hub and plug it to mains socket.

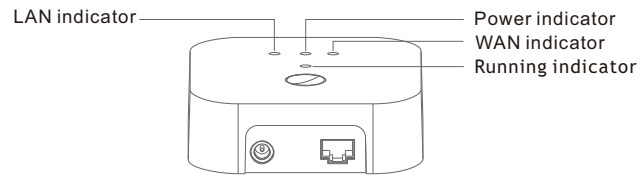


Connect the Smart Hub to network

Connect Smart Hub's LAN port to a router with network cable. Make sure the cell phone for control connects to the same network.



Indicator Lights State



| | | |
|--------------|--|--|
| State | LAN indicator: solid blue | Connected to a router |
| | LAN indicator: flashing blue slowly | Not connected to a router |
| | Power indicator: solid red | Power connected |
| | WAN indicator: solid blue | Connected to Internet |
| | WAN indicator: flashing blue slowly | Not connected to Internet |
| | Running indicator: flashing blue 6 times rapidly | The smart hub is reset to factory default or manually enter adding device mode |

Reset to Factory Default

Press and hold the reset button for over 5 seconds until the running indicator flashing blue 6 times rapidly.

Reboot

Short press the reboot button to reset power of the smart hub, all indicators will turn off, then the gateway will restart.

Add & Control Zigbee Devices

Follow the direction in the "Azoula Smart" app to connect your gateway, then add and control Zigbee devices.

Product Dimensions

