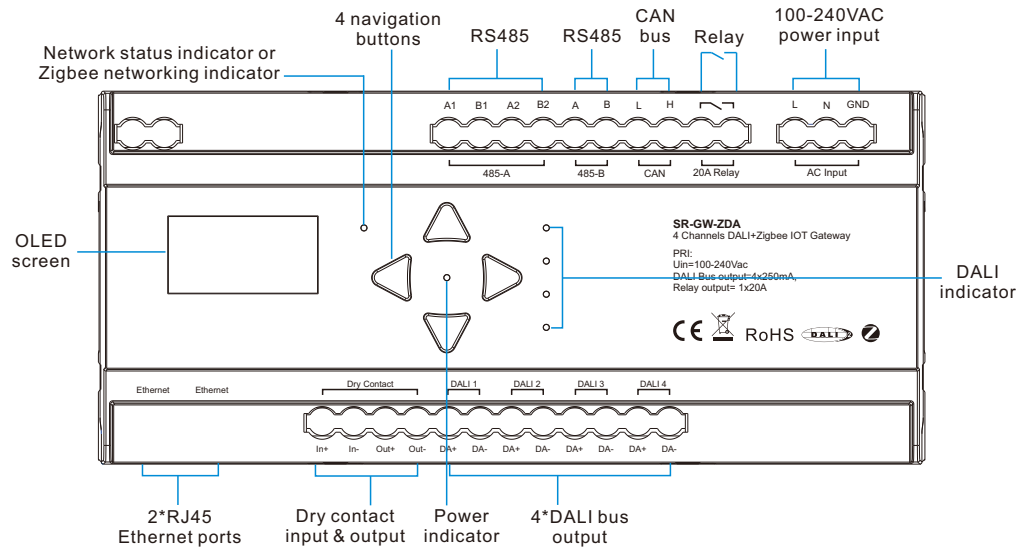


4 Channels DALI + Zigbee IoT Gateway



Important: Read All Instructions Prior to Installation

Function Introduction



Product Data

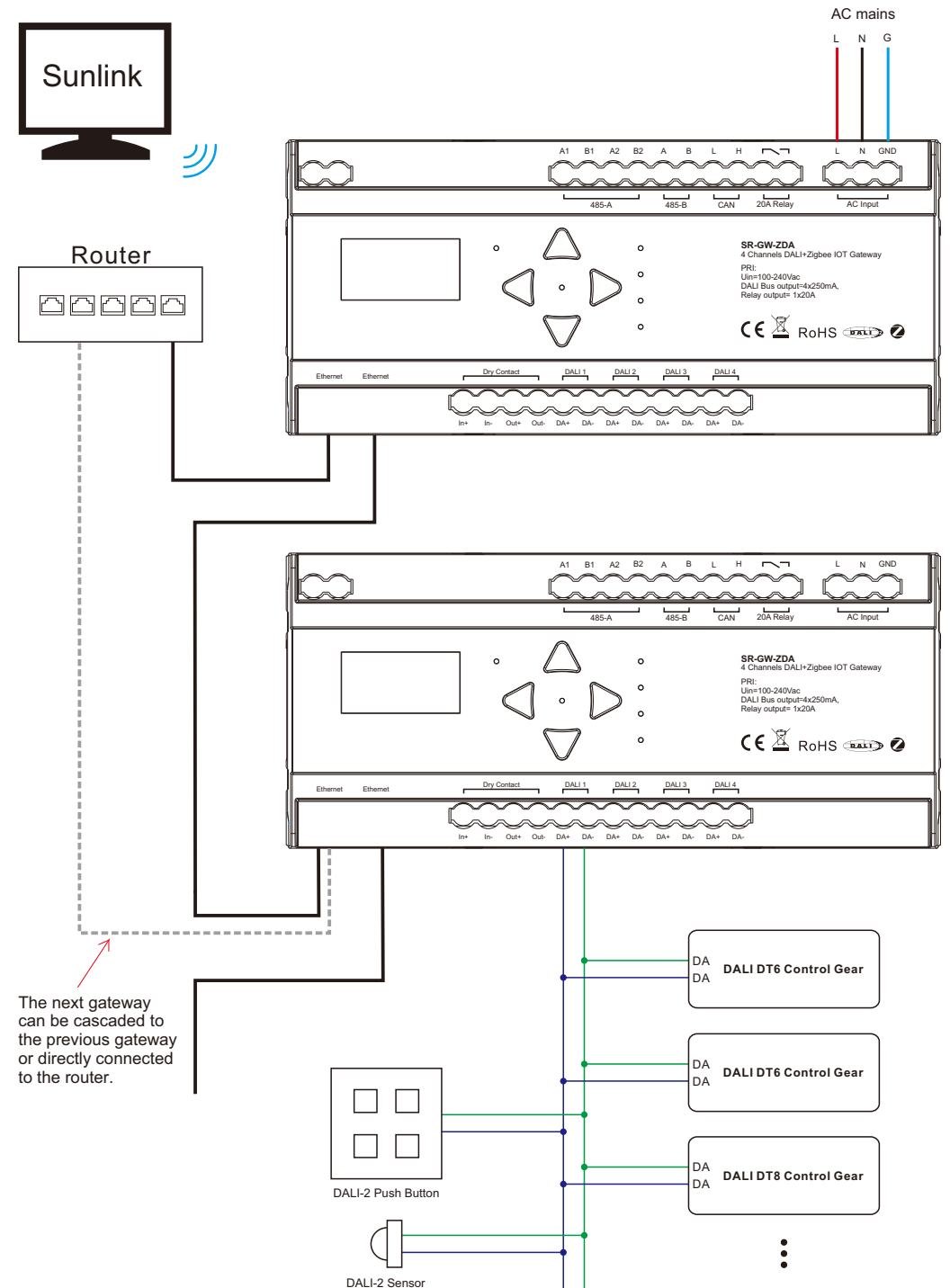
Input Voltage	DALI Bus Output	Relay Output	Output Signal
100-240VAC	4x250mA	1x20A	Zigbee Wireless Signal

- This ZigBee + DALI IoT gateway works with both Zigbee and DALI devices: lighting devices, sensors, heaters, plugs, remotes, GP switches, etc
- With OLED screen and navigation buttons for menu operations
- Each DALI bus with max. 250mA DALI bus current output, no extra DALI PS required
- Supports 4*64 DALI control gears + 4*64 DALI input devices
- Commissioning via Sunlink platform
- Supports group, scene, and automation
- Supports up to 150 zigbee devices
- 4 channels DALI bus output
- 1 channel CAN bus output
- 2 channels RS485 interface
- 1 channel 20A relay output
- 1 channel dry contact input & 1 channel dry contact output
- DIN rail installation
- Waterproof grade: IP20

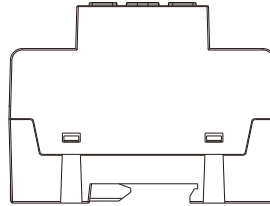
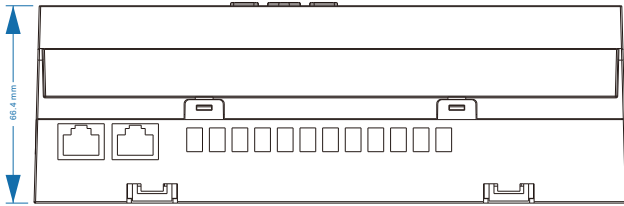
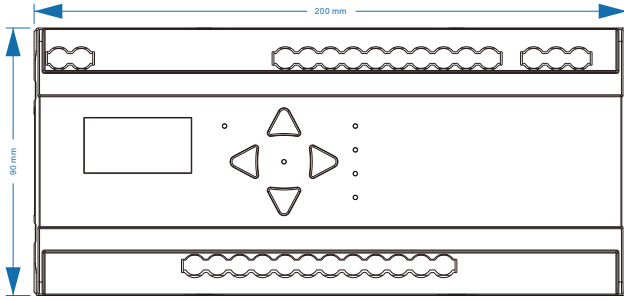
Safety & Warnings

- DO NOT install with power applied to device.
- DO NOT expose the device to moisture.

Wiring Diagram



Product Dimension



How to Change the Screen Display Name

1. Power on the gateway and go to the **Alerts** menu.
2. Press and hold the **Left** button until the screen shows "**Please Input Passwd.**"
3. Enter the password 86216593:
Up button: increase number
Down button: decrease number
Right button: move to the next digit
4. Short-press the **Left** button to confirm. The screen will show "**Enter check passwd.**"
5. Short-press the **Right** button to open the main display settings.
6. Select the name you want to appear on the main screen.