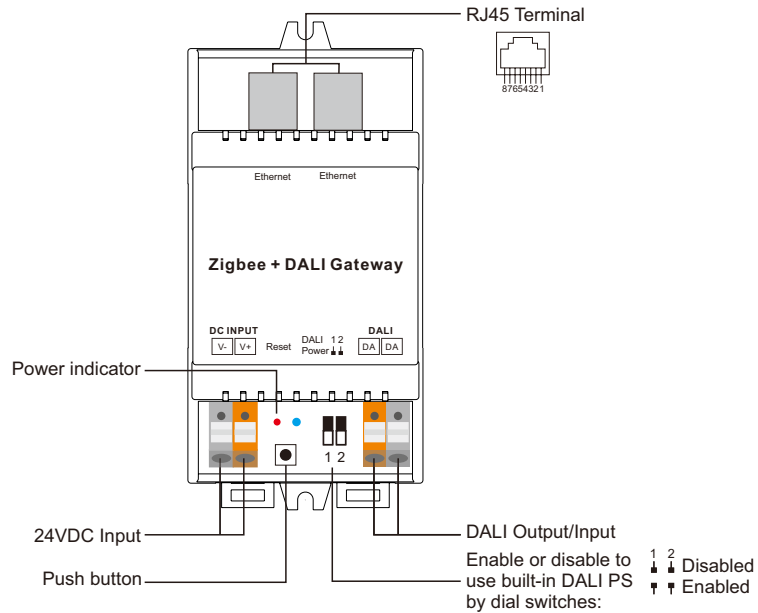


DIN Rail Ethernet (IP) DALI+Zigbee Gateway



Important: Read All Instructions Prior to Installation

Function introduction



Confirm link:

The first time connect to this gateway will need to press the push button once to confirm.

Static IP address mode 1:

Short press the push button 10 times to set the gateway to static IP address: 10.10.100.100

Static IP address mode 2:

Short press the push button 8 times to set the gateway to static IP address: 192.168.0.101

DHCP mode:

Short press the push button 15 times to set the gateway to DHCP IP address mode, the address will be assigned by router

Reset gateway:

Long press the push button for over 5 seconds, This reset mode will not delete the added device or change IP mode

Reset to factory setting from APP:

All added devices will be deleted and IP address will change back to static address: 10.10.100.100

Manual scan and add DALI device from bus:

Short press push button 3 times, the gateway will start to search all installed DALI devices on the bus

Manual scan and add Zigbee device:

Short press push button 5 times, the gateway will start to search nearby Zigbee devices, press push button again to stop.

Manual scan and add Zigbee Green Power device:

Short press push button 4 times, the gateway will start to search nearby Zigbee Green Power devices, press push button again to stop.

Product Data

While built-in DALI PS enabled

Input Voltage	Number of DALI Channel	Output Voltage	Output Current	Size(LxWxH)	Ambient Temperature
24VDC	1	12-22.5VDC	Guaranteed supply current: 230mA Max. supply current: 250mA	110x53x65mm	-20°C ~ +50°C

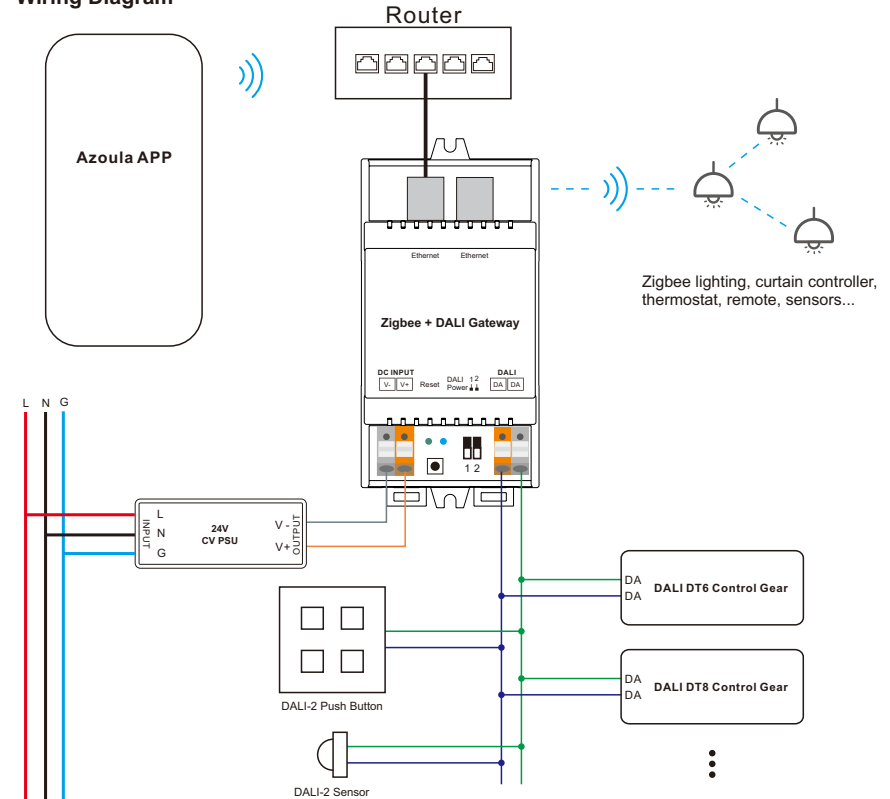
While built-in DALI PS disabled

Input Voltage	Number of DALI Channel	DALI Current Consumption	Size(LxWxH)	Ambient Temperature
24VDC	1	Max. 2mA	110x53x65mm	-20°C ~ +50°C

Features

- Comprehensive DALI-2 Support, Full configuration capabilities for DALI-2 control devices, including panels and sensors (Occupancy/Light sensors)
- Supports all Zigbee 3.0 standard device types
- Supports DALI addressing, grouping and scene configuration for max. 64 control gears (DALI-1 and DALI-2)
- Built-in 250mA DALI PS, no extra wiring required
- Cross-Protocol Interaction, Support direct mutual control between DALI and Zigbee devices
- Seamless Zigbee & DALI Integration, Manage both DALI and Zigbee devices within a single APP, enabling unified control for wired and wireless systems.
- Matter Bridge Ready, Acts as a Matter bridge, making your DALI and Zigbee assets instantly compatible with Apple Home, Google Home, and Amazon Alexa.
- Built-in battery, built-in RTC, supports timer task configuration
- Built-in support for MQTT and BACnet, ensuring effortless integration into third-party BMS and IoT platforms.
- 5 years warranty

Wiring Diagram



Product Dimension

