

Casambi Fixture Mounted Wireless to 0-10V Dimming Converter

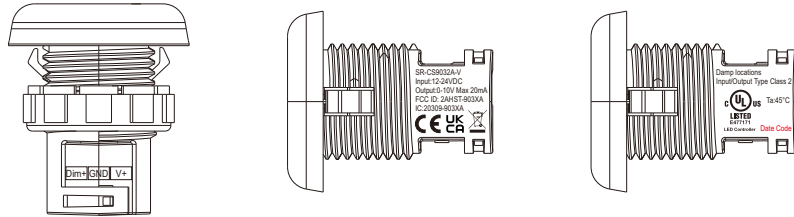


Important: Read All Instructions Prior to Installation

Function introduction



CASAMBI



Product Description

The fixture-integrated converter combines 0-10V dimming and Casambi radio technology into a small package that fits into various luminaires. When used with 0-10V dim-to-off LED drivers, it enables any lighting manufacturer to deliver wirelessly-controllable fixtures with minimal engineering effort. The luminaires just need to be connected to mains power.

Casambi Technology Explained

The Casambi technology provides a mesh network where all the intelligence of the system is replicated in every node and, in such a way, creates a system with no single point of failure. In this kind of fully distributed architecture, any unit can go offline and catch up from others when they return back online.

Wireless Features

- Control a large number of fixtures from any point
- Simple to use UI
- Wide range of functionality – Grouping Luminaires, different lighting situations for different occasions, colour temperature, daylight sensor, occupancy sensor and much more.

Product Data

Physical Information

Dimensions / Weight	See Dimensions / 12.3g (without locknut) / 21.3g (with locknut)
Mounting (Luminaire Hole)	1/2" trade size knockout (22.2-22.3mm)
Material / Color	ABS / White
Connectors / Wire Gauge	3 pin connectors / 24-18 AWG (0.2-0.75 mm ²)
Strip Length	0.28-0.35 in. / 7-9 mm

Electrical Information

Input Voltage	12/24 VDC
Current Consumption	< 30mA (when dimming method = sink)
Dimming Control	Analog (0-10V)
Dimming Output	4mA (sink) / 20mA (source)

Wireless Communication

Transceiver Frequency	2.4GHz ISM band
Radio Range	269 feet (82m) in open field
Radio Certification	FCC/IC, CE

Lighting Control

Features	Continuous dimming, Individual/group addressing, Scene control, Task tuning (0-100%), Scheduler control
----------	---------------------------------------------------------------------------------------------------------

Environment

Operating Temperature Range	32°F to 104°F / 0°C to 40°C (indoor use only)
Operating Humidity	0-95% (non condensing)
Safety Certification	cULus Listed, CE

Key Features

- Task tuning
- Compact form factor
- Works with 0-10V dim-to-off LED drivers

Benefits

- Fits into existing and new-design luminaires
- Robust mesh network

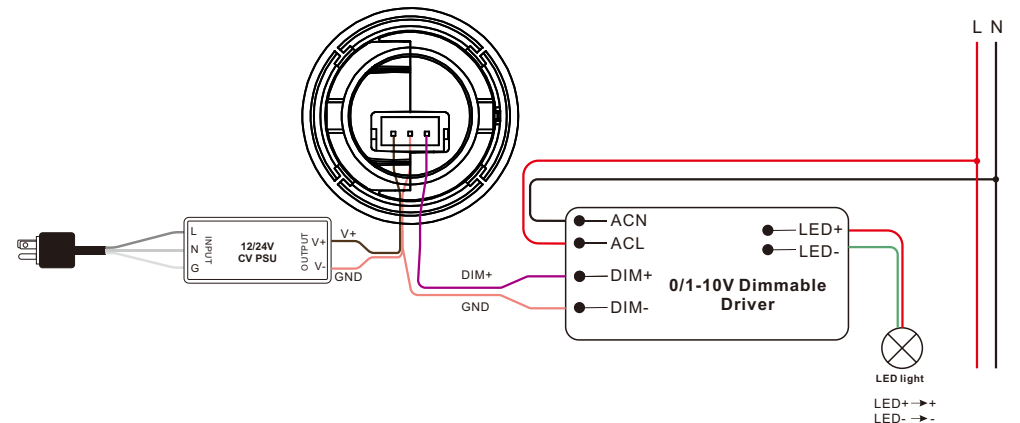
Applications

- Open offices
- Individual offices
- Conference rooms
- Classrooms
- Retail stores
- Hospitals
- Lobbies

Wiring Diagram

Wire Code

- Brown: 12/24VDC Power V+
- Pink: 12/24VDC Power GND & 0-10 Dim-
- Violet: 0-10V Dim+



Product Dimension

