



Work with Sunsmart

0-10V BLE Fixture-integrated Sensorless Controller

SR-BL9035A-V

Features

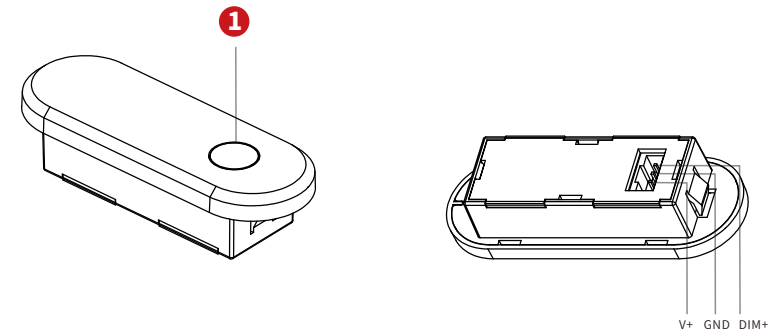
- Bluetooth to 0-10V signal converter, Bluetooth® mesh network
- Built-in 20mA 0-10V signal output
- Mesh network, which has a much longer control distance, transmits received signals to neighboring devices
- All devices on 0-10V line are broadcast controlled by mobile application
- Supporting our kinetic energy switches and EnOcean switches EWSSB and EWSDB
- In typical indoor environment, the typical range for wireless communication is 20m to 25m . Actual range is dependent on field installation.
- Standby power consumption less than 0.5W, meet latest ERP regulation
- Available with Magnetic reset (Touch the top part of sensor for 5 seconds)
- On-board antenna
- Waterproof grade: IP20
- 5 years warranty



Parameters

Input	Power	12-24VDC
	Signal	Bluetooth
Output, 0/1-10V	Current	Max. 20mA
Control	Dimming Curve	Logarithmic
	Dimming Method	PWM
Environment	Operating Temperature	0°C~+45°C
	Relative Humidity	8% to 80%
Others	Size	See dimensions

Product info



① Reset Key: Press it to help withdraw the device from internet/APP, LED flashes quickly indicates success.

Note: V+: Power supply(+), GND: Common port for Power supply(-) & DIM-, DIM+: 0-10V signal port(10V)

Warning

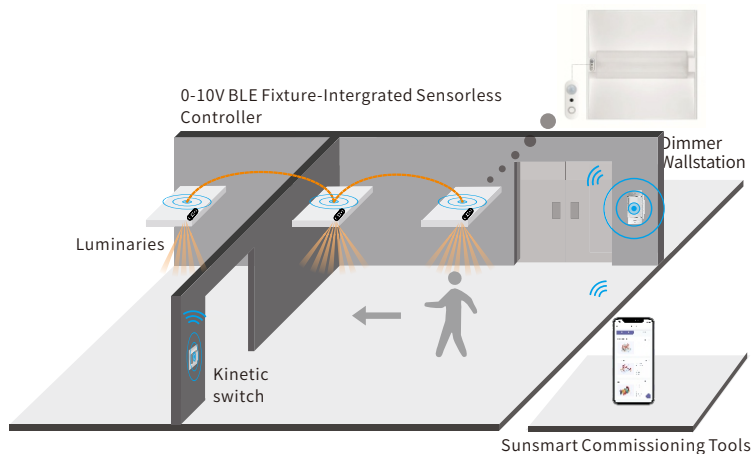
- DO NOT install with power applied to device.
- DO NOT expose the device to moisture.



0-10V BLE Fixture-integrated Sensorless Controller

SR-BL9035A-V

Application



Specification

LINKAGE

- Free to link several zones which acts like zone linking
- Free to set linkage conditions (A triggers B or B triggers A)
- Work with Sensor node can realize maximum cost-effective ratio

ENERGY SAVINGS

- Low/High-end trimming
- Manual control
- Auto and advanced demand response programs
- In-node Scheduling (INS) Function

COMFORT & CONVENIENCE

- Personalized setting profile
- Working with kinetic switch and 0-10V dimmable drivers
- Multi-scenes control

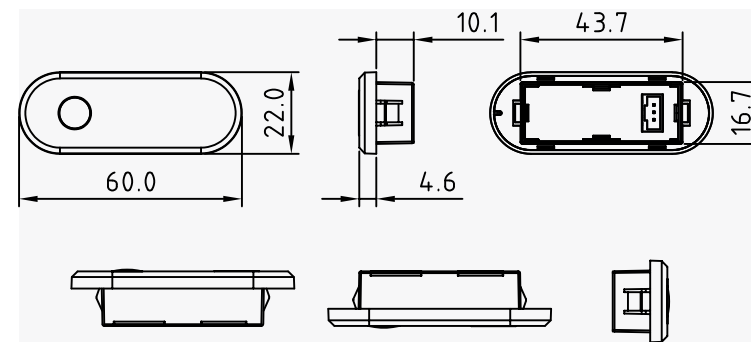
ENVIRONMENT & APPROBATION

- Operating temperature: 0°C to 45°C
- Agency approbations: UL Listed /FCC/ CE/ IC...
- Warranty: 5 years

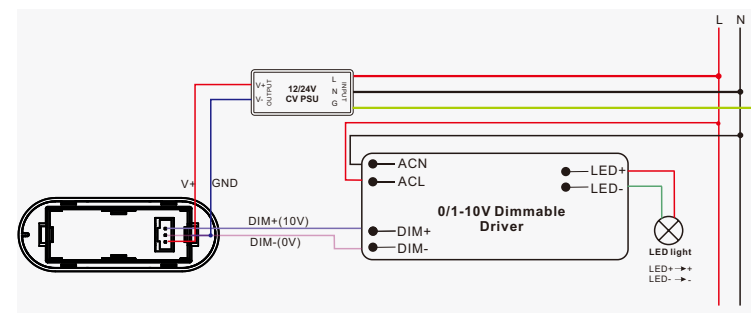
Work with Sunsmart



Dimension



Wiring



Operation

- Do wiring according to connection diagram.
- Kindly refer to “Sunsmart User Manual” for further pairing.
- Press and hold down the “Reset” button on the controller over 5 seconds until the indicator flashes, which means it has been reset.
- Available with Magnetic reset(Touch the top part of sensor for 5 seconds).

Update Log

Date	Version	Update Content	Update by
2024-10-10	V1.0	Initial release	Jesse



Subject to change without notice. Please contact us if you have any questions.