

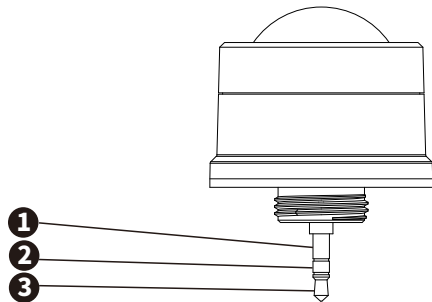
# IP65 BLE 0-10V Motion Sensor Controller with 3.5mm Audio-Jack Interface



## Features

- Bluetooth to 0-10V sensor controller , Bluetooth® mesh network
- Mesh network, which has a much longer control distance, transmits received signals to neighboring devices
- All devices on 0-10V line are broadcast controlled by mobile application
- Supporting our kinetic energy switches and EnOcean switches EWSSB and EWSDDB
- Autonomos sensor-based control
- 3.5mm Audio-Jack interface (Plug&Play)
- Available with Magnetic reset (touch the top part of sensor for 5 seconds)
- On-board antenna
- Waterproof grade: IP65, suitable for outdoor luminaires
- 5 years warranty

## Product info



- ① Port 1 : GND/ Dim- (0-10V signal)
- ② Port 2 : VCC (12-24V)
- ③ Port 3 : DIM+ (0-10V signal)

**Important:** Read All Instructions Prior to Installation

## Parameters

Electrical Information	
Power Supply	12-24 VDC
0-10V Signal Output	20mA
Control	0-10V
Marking Terminals	V+, DIM+, GND (DIM-)
Status Indicators	Red(commissioning), Green(motion detection)
Sensing	
Motion Detection	PIR
Daylight Harvesting	YES
Mounting Height	Max. 12m
Detection Angle/Range	360°(ceiling)/16m(Diameter)
Environment	
Operating Temperature Range	-40°F to 104°F/-40°C to 70°C
Operating Humidity	0-95%(non-condensing)
Safety Certification	cULus Listed, CE

## Product Description

- The IP65 motion sensor combines motion sensor and light sensor. The device performs motion detection and measures illuminance level. With Easy to use 3.5mm audio-jack interface , the sensor can easily fit into various luminaires with no tools required.
- The result is increased occupant comfort and significant energy savings that meet the most demanding building energy codes. The sensor is IP65 rating, which enables it to be used for outdoor luminaires.

**Warning** DO NOT install with power applied to device.  
DO NOT expose the device to moisture.

## Specification

### Energy Savings

- Low/High-end trimming
- Occupancy/Vacancy detection
- Auto and advanced demand response programs
- Time-of-Day dimming schedule
- Energy monitoring

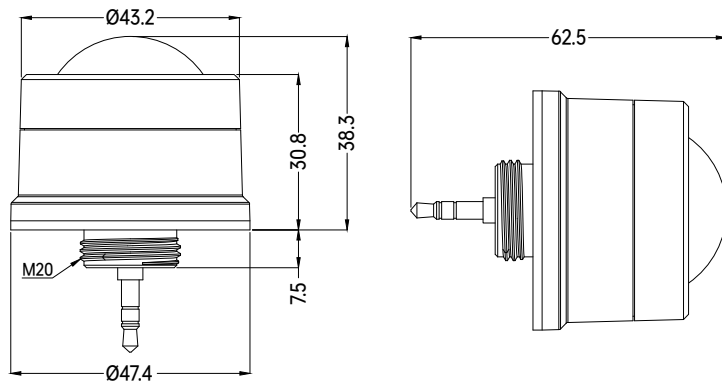
### Profile Configuration

- Occupancy Profile
- Vacancy Profile
- Photocell Profile

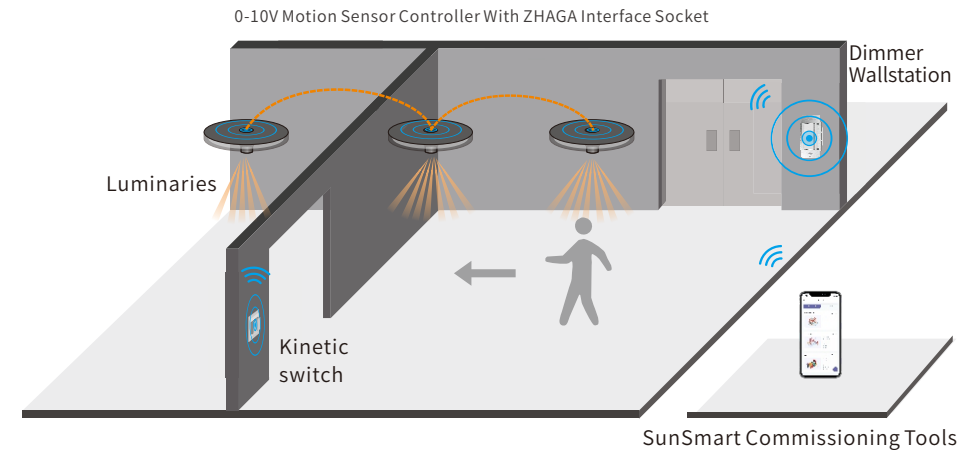
### Comfort & Convenience

- Advanced occupancy detections
- Light-level stability
- Configurable dim-and-linger occupancy
- Personalized setting profile
- Work with kinetic switch keypad and dimmer wallstation
- Multi-scenes control
- Magnetic Reset

## Dimension



## System Overview



## Application

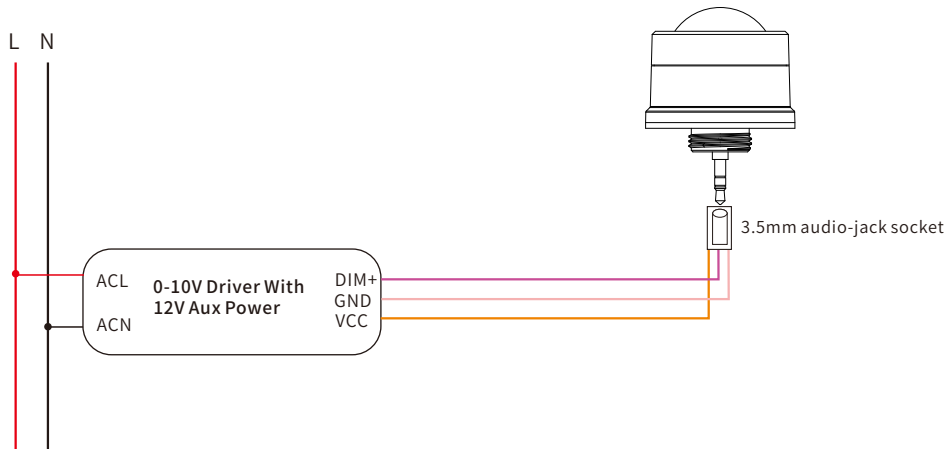


Indoor Low/High-bay Application



Outdoor Application

## Wiring



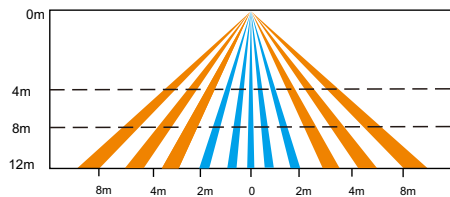
Note: please make sure the polarity of 0-10V signal of the sensor is correctly connected.

## Operation

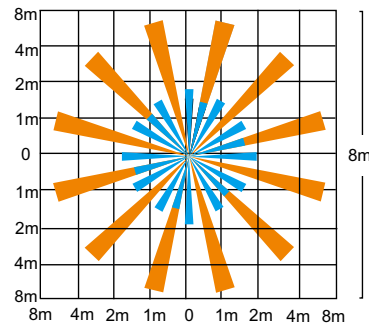
- Do wiring according to connection diagram.
- Kindly refer to “SunSmart Commissioning User Manual” for further pairing.
- Available with Magnetic reset(Touch the top part of sensor for 5 seconds).

## Detection Pattern

Coverage Side View



Coverage Top View



The detection area for movement sensor can be roughly divided into two parts:

- Slow movement (person moving  $< 1.0'/s$  or  $0.3m/s$ )
- Quick movement (person moving  $> 1.3'/s$  or  $0.4m/s$ )

## Installation Precautions

- Avoid areas with frequent temperature changes: Keep away from air conditioners, fans, refrigerators, ovens, and other objects that cause rapid temperature changes. The detection effectiveness of PIR motion sensors is closely related to temperature fluctuations, and vents or heat sources can lead to false alarms.
- Avoid areas with significant air flow.
- Avoid facing glass doors and windows directly: 1) Do not face glass doors and windows directly to avoid interference from strong light. 2) Avoid complex environments outside doors and windows, such as direct sunlight, crowds, and moving vehicles.
- Avoid installing opposite large, constantly moving objects: Large objects with significant motion can cause sudden changes in airflow within the detection area, leading to false alarms. Outdoor PIR motion sensors should not be installed opposite large trees or tall bushes.
- Avoid areas with screens, furniture, large potted plants, or other obstacles within the detection range.
- Avoid areas exposed to direct sunlight.

## Statement

### FCC STATEMENT

This equipment has been tested and found to comply with the limits for a Class B digital device, pursuant to Part 15 of the FCC Rules. These limits are designed to provide reasonable protection against harmful interference in a residential installation. This equipment generates uses and can radiate radio frequency energy and, if not installed and used in accordance with the instructions, may cause harmful interference to radio communications. However, there is no guarantee that interference will not occur in a particular installation. If this equipment does cause harmful interference to radio or television reception, which can be determined by turning the equipment off and on, the user is encouraged to try to correct the interference by one or more of the following measures:

- Reorient or relocate the receiving antenna.
- Increase the separation between the equipment and receiver.
- Connect the equipment into an outlet on a circuit different from that to which the receiver is connected.
- Consult the dealer or an experienced radio/TV technician for help.

This device complies with part 15 of the FCC Rules. Operation is subject to the following two conditions:

- (1) This device may not cause harmful interference, and

(2) this device must accept any interference received, including interference that may cause undesired operation.

Changes or modifications not expressly approved by the party responsible for compliance could void the user's authority to operate the equipment.

#### IC STATEMENT

This device complies with Industry Canada's licence-exempt RSSs. Operation is subject to the following two conditions:

(1) This device may not cause interference; and (2) This device must accept any interference, including interference that may cause undesired operation of the device.

Le présent appareil est conforme aux CNR d'Industrie Canada applicables aux appareils radio exempts de licence. L'exploitation est autorisée aux deux conditions suivantes :

(1) l'appareil ne doit pas produire de brouillage, et (2) l'utilisateur de l'appareil doit accepter tout brouillage radioélectrique subi, même si le brouillage est susceptible d'en compromettre le fonctionnement.

#### Update Log

Date	Version	Update Content	Update by
2025-1-7	V1.0	Initial release	Jesse

Subject to change without notice. Please contact us if you have any questions.