



Work with Sunsmart

0-10V BLE Fixture-integrated PIR Sensor Controller

SR-BL9032A-PIR-V

Features

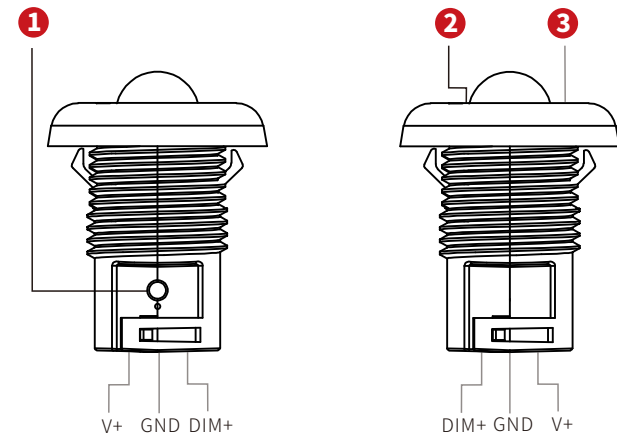
- Bluetooth to 0-10V signal PIR sensor controller, Bluetooth® mesh network
- Built-in 20mA 0-10V signal output
- Mesh network, which has a much longer control distance, transmits received signals to neighboring devices
- All devices on 0-10V line are broadcast controlled by mobile application
- Supporting our kinetic energy switches and EnOcean switches EWSSB and EWSDB
- In typical indoor environment, the typical range for wireless communication is 20m to 25m . Actual range is dependent on field installation.
- Standby power consumption less than 0.5W,meet latest ERP regulation
- Available with Magnetic reset (Touch the top part of sensor for 5 seconds)
- On-board antenna
- Waterproof grade: IP20
- 5 years warranty



Parameters

Input	Power	12-24VDC
	Signal	Bluetooth
Output, 0/1-10V	Current	Max. 20mA
Control	Dimming Curve	Logarithmic
	Dimming Method	PWM
Environment	Operating Temperature	0°C~+45°C
	Relative Humidity	8% to 80%
Others	Size	See dimensions

Product info



- ① Reset Key: Press it to help withdraw the device from the internet/APP, LED flashes quickly indicates success.
- ② PIR Indicator: Turns GREEN when movement has been detected.
- ③ Light sensor: Ambient light detection and daylight harvesting.

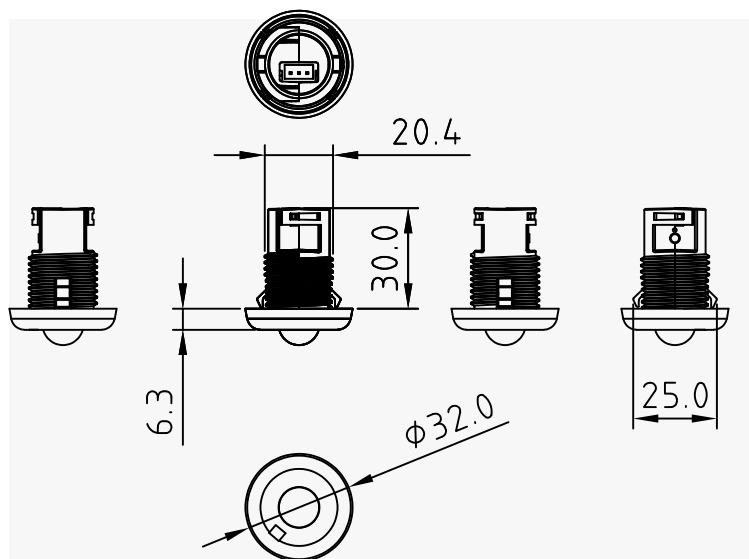
Note: V+: Power supply, GND: Common port for V- & Dim- , DIM+: 0-10V signal port, represents 10V



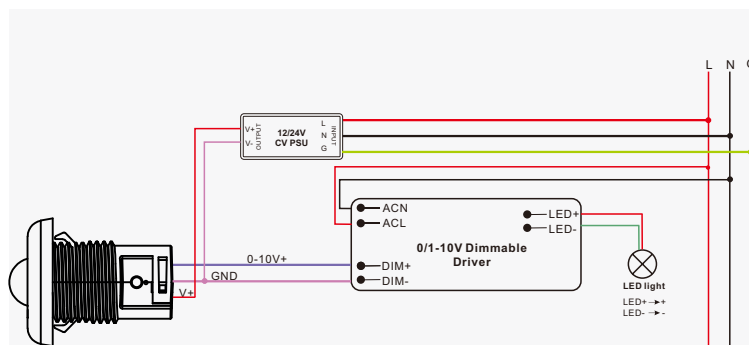
0-10V BLE Fixture-integrated PIR Sensor Controller

SR-BL9032A-PIR-V

Dimension



Wiring



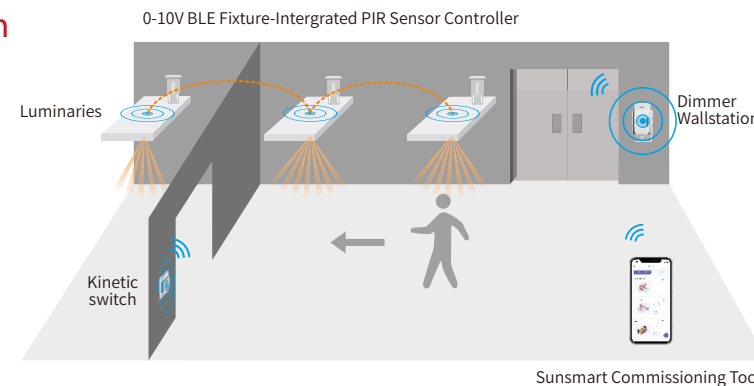
Operation

- Do wiring according to connection diagram.
- Kindly refer to “Sunsmart User Manual” for further pairing.
- Press and hold down the “Reset” button on the controller over 5 seconds until the indicator flashes, which means it has been reset.
- Available with Magnetic reset(Touch the top part of sensor for 5 seconds).

Work with Sunsmart



Application



Specification

ENERGY SAVINGS

- Low/High-end trimming
- Daylight harvesting
- Occupancy/Vacancy detection
- Auto and advanced demand response programs
- Time-of-Day dimming schedule
- Energy monitoring

COMFORT & CONVENIENCE

- Advanced occupancy detections
- Light-level stability
- Configurable dim-and-linger occupancy
- Personalized setting profile
- Work with kinetic switch keypad and dimmer wallstation
- Multi-scenes control

SENSING

- Mounting height: 2.5m
- Detection area diameter: 5m @ 2.5m

ENVIRONMENT & APPROBATION

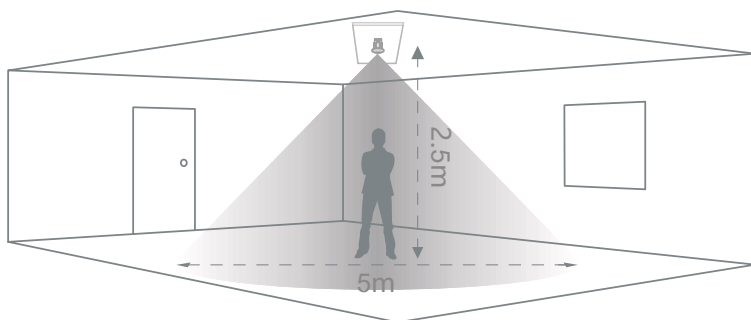
- Operating temperature: 0°C to 45°C
- Agency approbations: UL Listed /FCC/ IC/ BQB...
- Warranty: 5 years



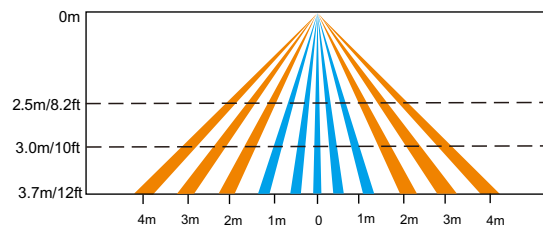
0-10V BLE Fixture-integrated PIR Sensor Controller

SR-BL9032A-PIR-V

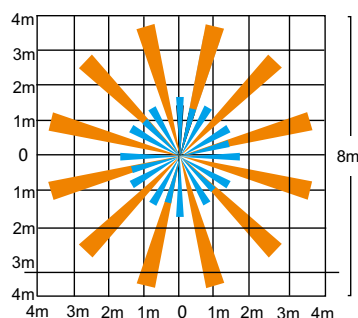
Detection Pattern



Coverage Side View



Coverage Top View



The detection area for movement can be roughly divided into two parts:

- Slow movement (person moving < 1.0'/s or 0.3m/s)
- Quick movement (person moving > 1.3'/s or 0.4m/s)

Warning

- DO NOT install with power applied to device.
- DO NOT expose the device to moisture.

Work with Sunsmart



Installation Precautions

- Avoid areas with frequent temperature changes: Keep away from air conditioners, fans, refrigerators, ovens, and other objects that cause rapid temperature changes. The detection effectiveness of PIR motion sensors is closely related to temperature fluctuations, and vents or heat sources can lead to false alarms.
- Avoid areas with significant air flow.
- Avoid facing glass doors and windows directly: 1) Do not face glass doors and windows directly to avoid interference from strong light. 2) Avoid complex environments outside doors and windows, such as direct sunlight, crowds, and moving vehicles.
- Avoid installing opposite large, constantly moving objects: Large objects with significant motion can cause sudden changes in airflow within the detection area, leading to false alarms. Outdoor PIR motion sensors should not be installed opposite large trees or tall bushes.
- Avoid areas with screens, furniture, large potted plants, or other obstacles within the detection range.
- Avoid areas exposed to direct sunlight.

Statement

FCC STATEMENT

This equipment has been tested and found to comply with the limits for a Class B digital device, pursuant to Part 15 of the FCC Rules. These limits are designed to provide reasonable protection against harmful interference in a residential installation. This equipment generates uses and can radiate radio frequency energy and, if not installed and used in accordance with the instructions, may cause harmful interference to radio communications. However, there is no guarantee that interference will not occur in a particular installation. If this equipment does cause harmful interference to radio or television reception, which can be determined by turning the equipment off and on, the user is encouraged to try to correct the interference by one or more of the following measures:

- Reorient or relocate the receiving antenna.
- Increase the separation between the equipment and receiver.
- Connect the equipment into an outlet on a circuit different from that to which the receiver is connected.
- Consult the dealer or an experienced radio/TV technician for help.



0-10V BLE Fixture-integrated PIR Sensor Controller

SR-BL9032A-PIR-V

Work with Sunsmart



This device complies with part 15 of the FCC Rules. Operation is subject to the following two conditions:

- (1) This device may not cause harmful interference, and
- (2) this device must accept any interference received, including interference that may cause undesired operation.

Changes or modifications not expressly approved by the party responsible for compliance could void the user's authority to operate the equipment.

IC STATEMENT

This device complies with Industry Canada's licence-exempt RSSs.

Operation is subject to the following two conditions:

- (1) This device may not cause interference; and
- (2) This device must accept any interference, including interference that may cause undesired operation of the device.

Le présent appareil est conforme aux CNR d'Industrie Canada applicables aux appareils radio exempts de licence. L'exploitation est autorisée aux deux conditions suivantes :

- (1) l'appareil ne doit pas produire de brouillage, et
- (2) l'utilisateur de l'appareil doit accepter tout brouillage radioélectrique subi, même si le brouillage est susceptible d'en compromettre le fonctionnement.

Update Log

Date	Version	Update Content	Update by
2024-10-10	V1.0	Initial release	Jesse



Subject to change without notice. Please contact us if you have any questions.