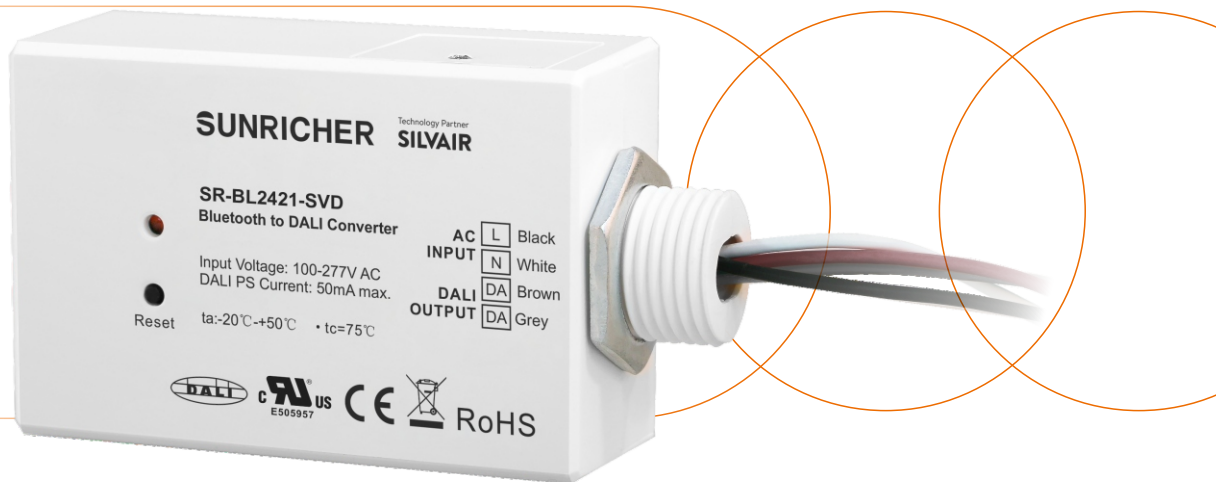


SUNRICHER

Bluetooth to DALI Converter



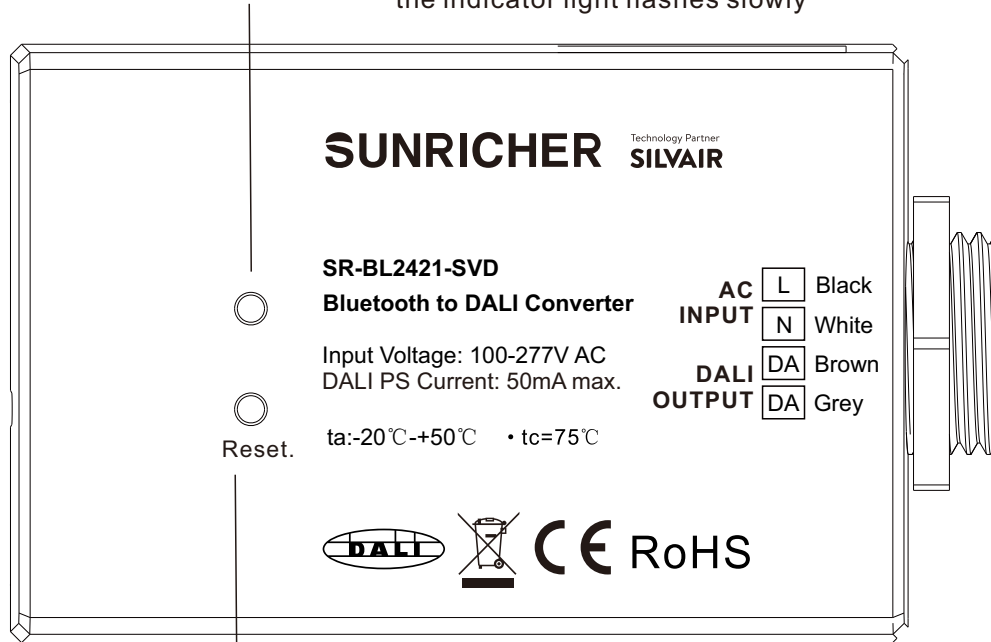
Product Datasheet

Please read all instructions before installation



Product info

LED indicator: When controller is added to the network, the indicator light flashes slowly



Reset Key: Press it to help withdraw the device from internet/APP
LED flashes quickly indicates success.

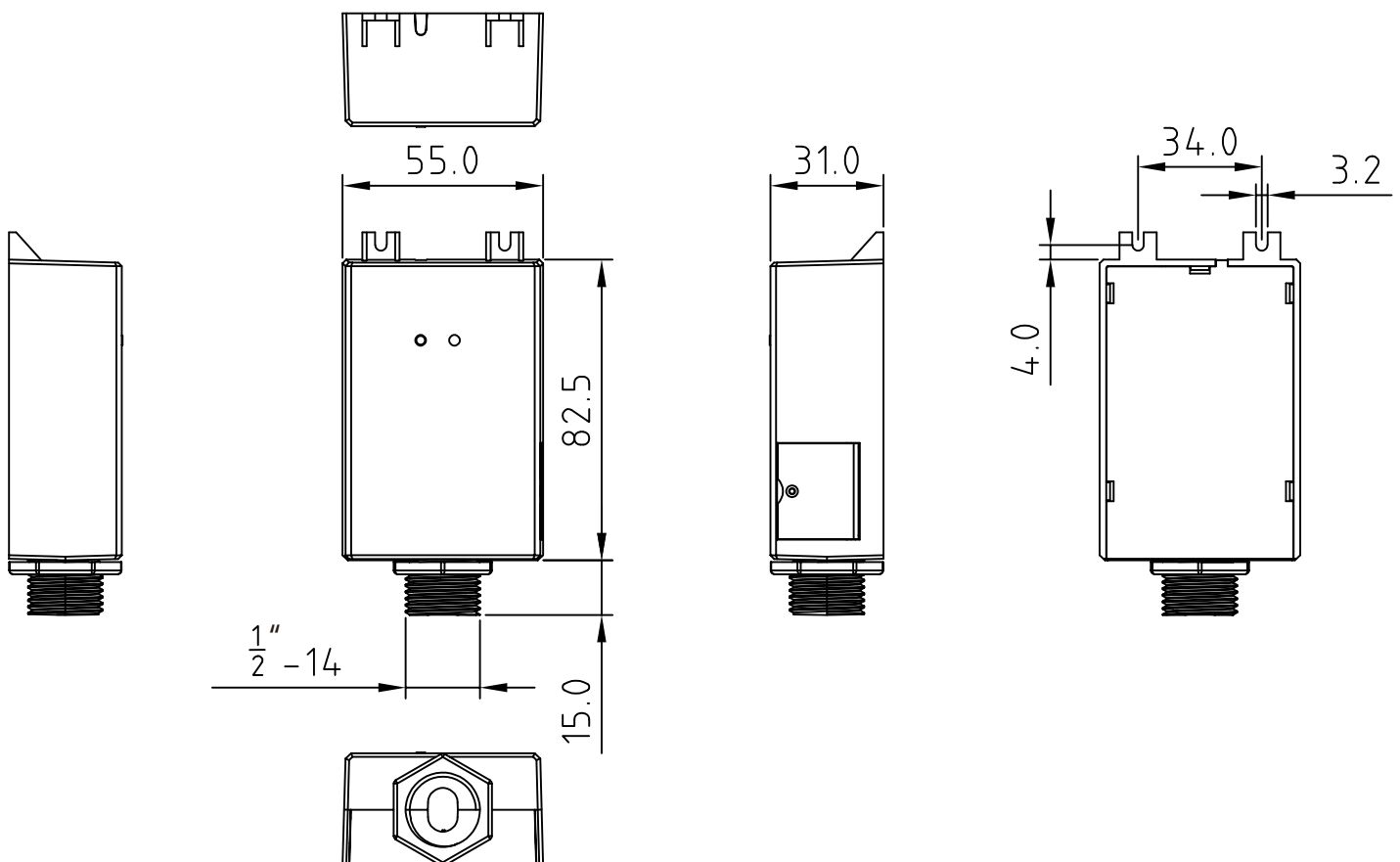
Specification

Input		Output, DALI	Environment		Others
Power	Signal	Current	Operating temperature	Relative humidity	Size
100-277VAC	Bluetooth	Max. 50mA	-20°C-+50°C	8% to 80%	82.5*55*31mm

Features

- Bluetooth to DALI signal converter, Bluetooth® mesh network
- Bluetooth signal input, DALI signal output, and 100-277VAC input
- Built-in DALI bus power supply, no additional DALI bus PS is required
- Max. 50mA DALI bus power current output, can control up to 25 DALI control gears.
- Controlled through "Silvair mobile app", easy & quick pairing
- Mesh network, which has a much longer control distance, transmits received signals to neighbor devices
- All device on DALI line are broadcast controlled by mobile application
- Supporting our kinetic energy switches and EnOcean switches EWSSB and EWSDB
- In typical indoor environment, the typical range for wireless communication is 20m to 25m . Actual range is dependent on field installation.
- On-board antenna
- Waterproof grade: IP20
- 5 years warranty

Dimension



Warning

- DO NOT install with power applied to device
- DO NOT expose the device to moisture

Operation

- Do wiring according to connection diagram
- Kindly refer "**Silvair commissioning User Manual**" to go further pairing, grouping, scene settings
- Press and hold down the "**Reset**" button on the controller over 5 seconds until the indicator flashes , which means it has been reset.

Wiring

