

# RF RGB Wall Mounted Controller

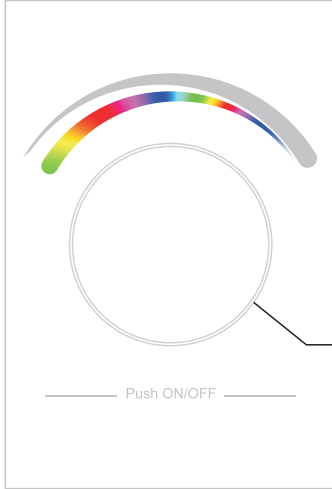
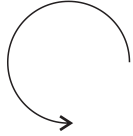
09.286DR.04277



**Important:** Read All Instructions Prior to Installation

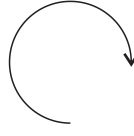
## Function introduction

Rotate the knob counterclockwise:  
1. Decrease light intensity from 100% to 1% (brightness mode).  
2. Change RGB color (RGB color mode)

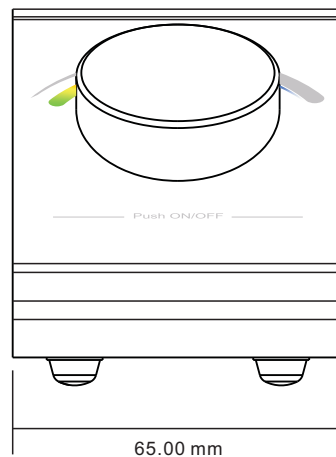
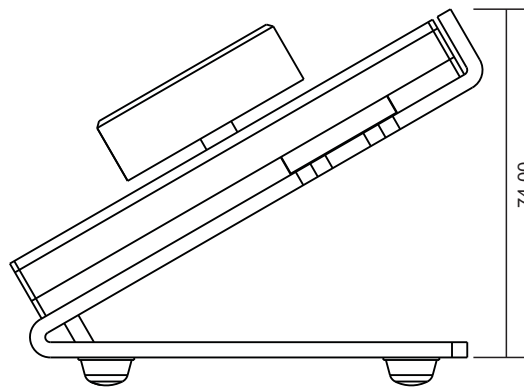


Front side

Rotate the knob clockwise:  
1. Increase light intensity from 1% to 100% (brightness mode).  
2. Change RGB color (RGB color mode)



Click the knob to switch ON/OFF. Press and hold down to adjust brightness to 100%. Double click the knob to switch between RGB color mode and brightness mode.



## Product Data

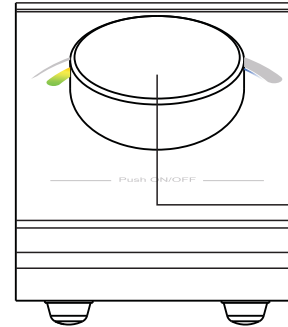
Output Signal	RF signal
Power Supply	3V(CR2025)
Power consumption	10 mA
Operating temperature	0-40°C
Relative humidity	8% to 80%
Dimensions	96x65x74mm

- Rotation sensitive
- Compatible with all universal series RF receivers
- Radio frequency: 868/869.5/916.5/434MHz
- Control RGB color
- Control 1 zone of RF receiver
- Waterproof grade: Ip20

## Safety & Warnings

- DO NOT install with power applied to device.
- DO NOT expose the device to moisture.

## Pair with RF receiver



**Step 1:** Do wiring the RF receiver according to wiring diagram (please refer to the instruction of RF receiver that you would like to pair with).



**Step 2:** Click the "Learning Key" button on RF receiver to set it into pairing status

**Step 3:** Rotate or click the knob, LED lights connected with the RF receiver flicker once means the receiver is paired with the remote successfully.

**Note:** one receiver can be paired with max 8 remote controls.

## Installation

