

RF Single Color Wall Mounted Controller

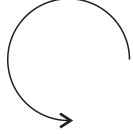
09.2836D.04276



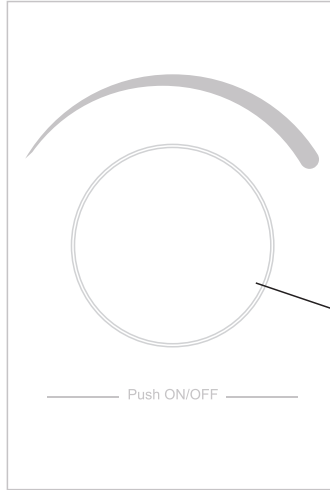
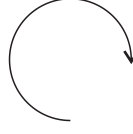
Important: Read All Instructions Prior to Installation

Function introduction

Rotate the knob counterclockwise to decrease light intensity from 100% to 1%.

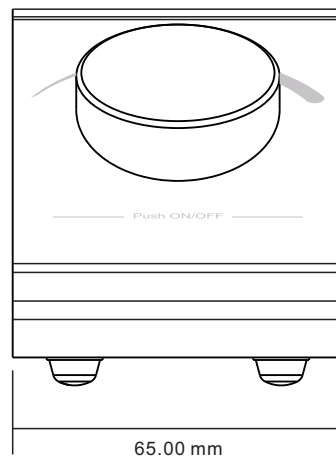
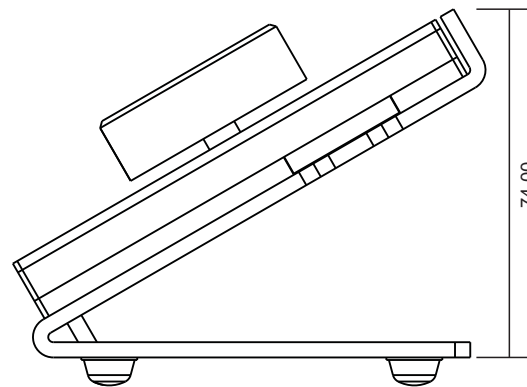


Rotate the knob clockwise to increase light intensity from 1% to 100%.



Click the rotary knob to switch ON/OFF light

Front side



Product Data

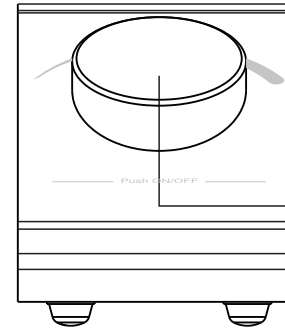
Output Signal	RF signal
Power Supply	3V(CR2025)
Power consumption	10 mA
Operating temperature	0-40°C
Relative humidity	8% to 80%
Dimensions	96x65x74mm

- Rotation sensitive
- Compatible with all universal series RF receivers
- Radio frequency: 868/869.5/916.5/434MHz
- Control single color
- Control 1 zone of RF receiver
- Waterproof grade: Ip20

Safety & Warnings

- DO NOT install with power applied to device.
- DO NOT expose the device to moisture.

Pair with RF receiver



Step 1: Do wiring the RF receiver according to wiring diagram (please refer to the instruction of RF receiver that you would like to pair with).



Step 2: Click the "Learning Key" button on RF receiver to set it into pairing status

Step 3: Rotate or click the knob, LED lights connected with the RF receiver flicker once means the receiver is paired with the remote successfully.

Note: one receiver can be paired with max 8 remote controls.

Installation

