

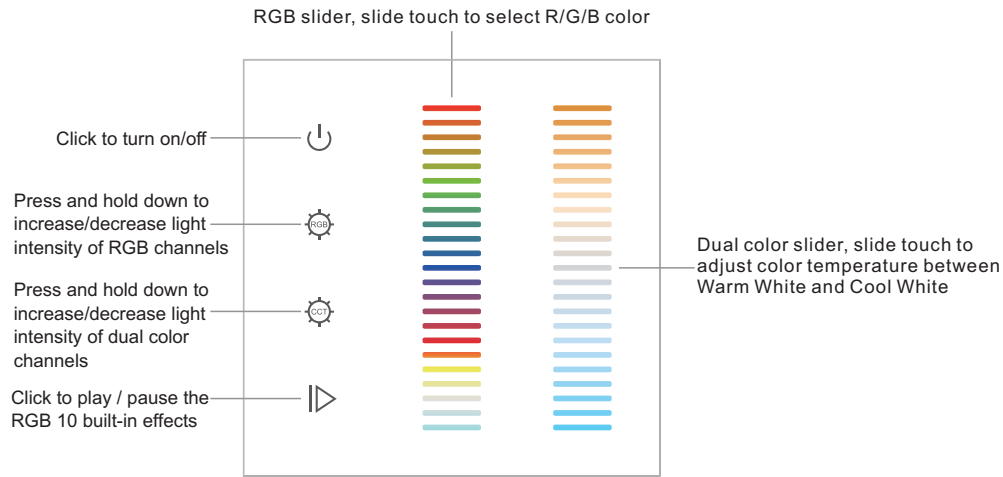
# RF + DMX512 RGB+Dual Color Controller

09.2845C.04717

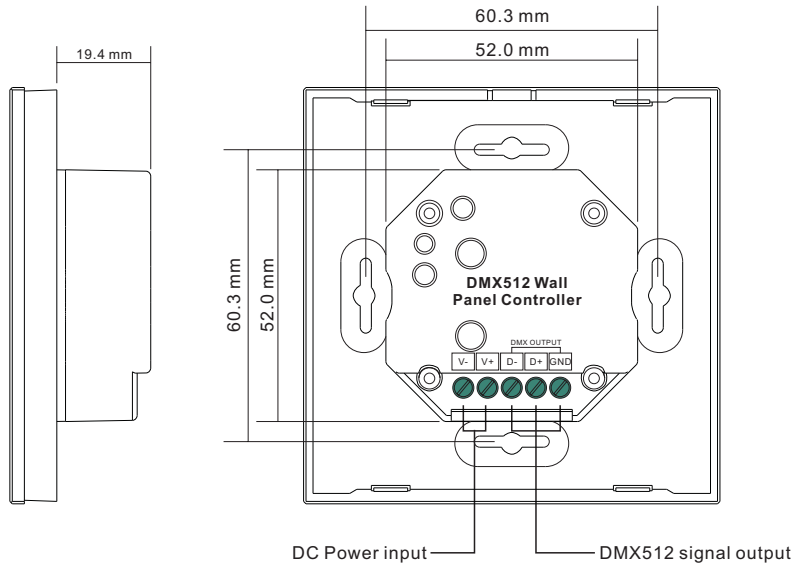


**Important:** Read All Instructions Prior to Installation

## Function introduction



Front side



Back side

## Product Data

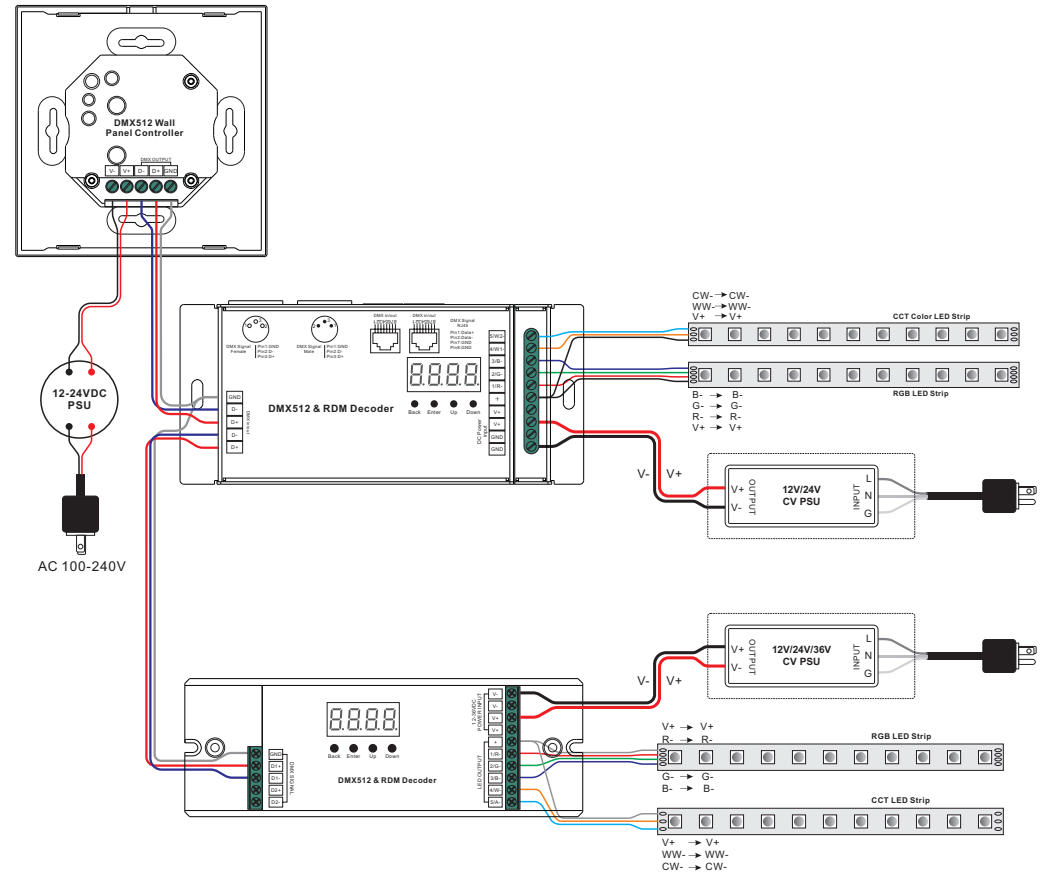
Output Signal	DMX512 signal
Power Supply	12-24VDC
Power consumption	20 mA
Operating temperature	0-40°C
Relative humidity	8% to 80%
Dimensions	86x86x29.1mm

- Touch sensitive
- Glass interface(white & black)
- Standard DMX512 Signal output
- Control RGB+CCT color
- Control 1 zone/area
- Waterproof grade: IP20

## Safety & Warnings

- DO NOT install with power applied to device.
- DO NOT expose the device to moisture.

## Wiring diagram



### Set DMX Address

This DMX master controller can control many DMX decoders, please set all decoders' address as 001.  
Note: one DMX decoder has 5 channels, so it occupies 5 DMX addresses 001, 002, 003, 004, 005.

### Pair with RF receivers:

Turn on the wall panel controller → Click "Learning Key" on RF receiver → Touch color slider on RF remote → LED lights connected with the RF receiver will flicker once

---

→ The receiver is paired with the remote successfully.

### How to delete the pairing:

Press and hold down "Learning Key" on the receiver for over 3 seconds until connected LED lights flicker twice, which means the pairing is deleted successfully.

### Installation

