

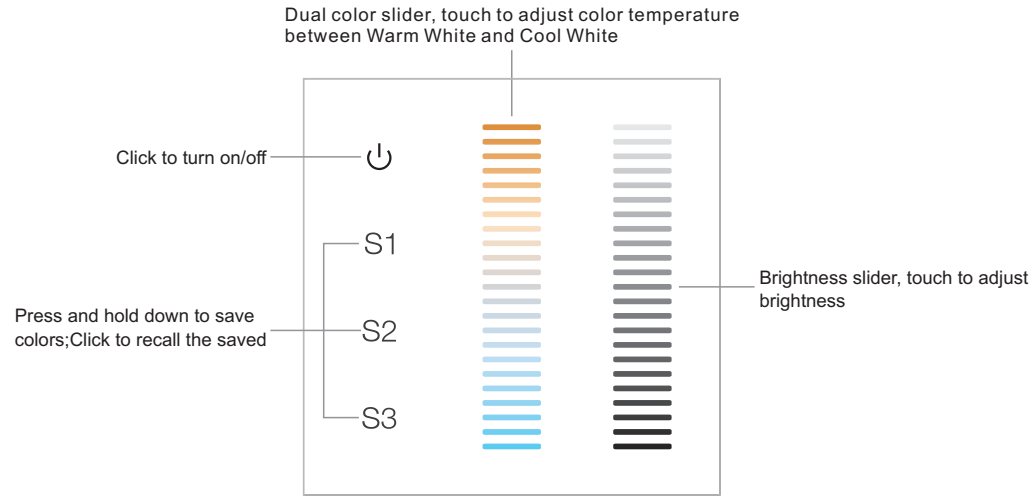
# RF Dual Color Wall Mounted Controller

09.284CE.04714

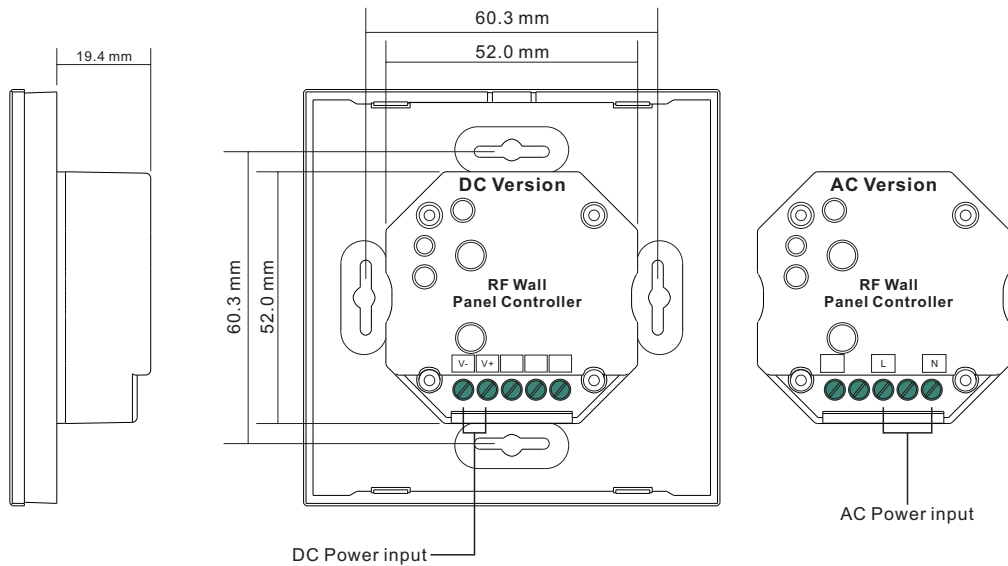


**Important:** Read All Instructions Prior to Installation

## Function introduction



Front side



Back side

## Product Data

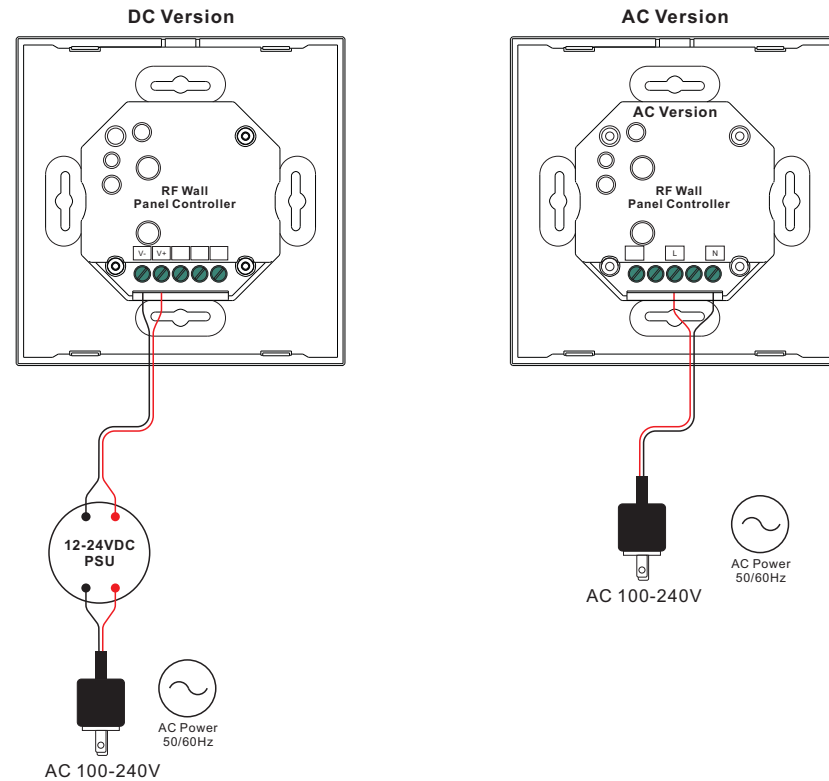
|                       | DC Version   | AC Version   |
|-----------------------|--------------|--------------|
| Output Signal         | RF signal    | RF signal    |
| Power Supply          | 12-24VDC     | 100-240VAC   |
| Power consumption     | 20 mA        | 20 mA        |
| Operating temperature | 0-40°C       | 0-40°C       |
| Relative humidity     | 8% to 80%    | 8% to 80%    |
| Dimensions            | 86x86x29.1mm | 86x86x29.1mm |

- Touch sensitive
- Glass interface(white & black)
- Compatible with all universal series RF receivers, radio frequency: 869.5/434MHz
- Control CCT color
- Control 1 zone of RF receiver
- Waterproof grade: Ip20


## Safety & Warnings

- DO NOT install with power applied to device.
- DO NOT expose the device to moisture.

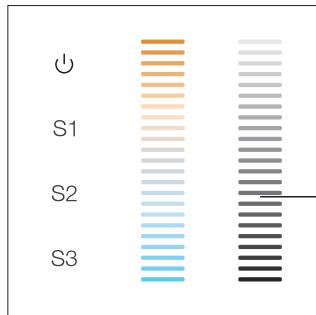
## Wiring diagram



## Operation

1. Do wiring the wall panel & RF receiver according to wiring diagram (please refer to the instruction of RF receiver that you would like to pair with)
2. Power on, then touch the button  to turn on the controller, indicator of the controller turned blue

## Pair with RF receiver



**Step 1:** Click the "Learning Key" button on RF receiver or re-power on the receiver three times continuously to set it into pairing status

**Step 2:** Touch the slider, LED lights connected with the RF receiver flicker once means the receiver is paired with the remote successfully.

## Installation

