

RF RGBW Wall Mounted Controller

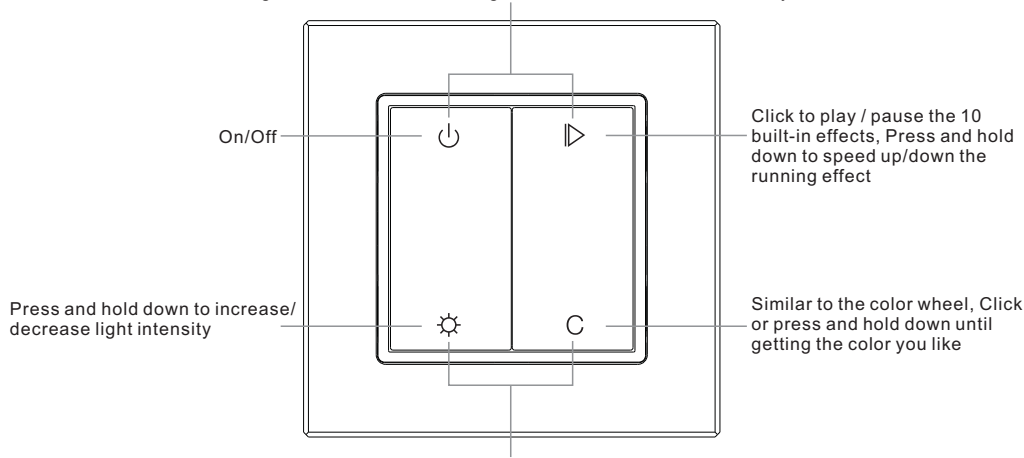
09.2833R.04707



Important: Read All Instructions Prior to Installation

Function introduction

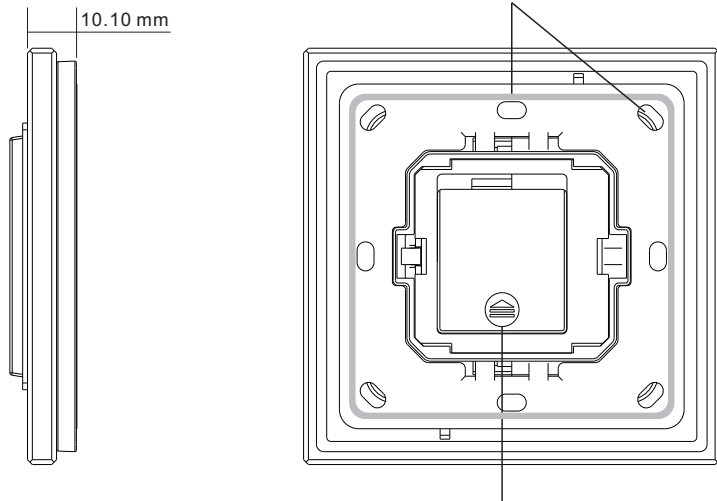
Press and hold down the 2 buttons together at the same time for 2 seconds to save the color you like, Click the 2 buttons together at the same time to get that saved color. Can save only 1 color.



Click the 2 buttons together at the same time to turn on the 4th individual channel W, click again to turn it off, press and hold down the 2 buttons together to increase/decrease light intensity of 4th channel

Front side

The remote control can be fixed on the wall with 3M glue or screw.



Battery: CR2430
Before the first use, please open the battery cover and remove the protective film

Back side

Product Data

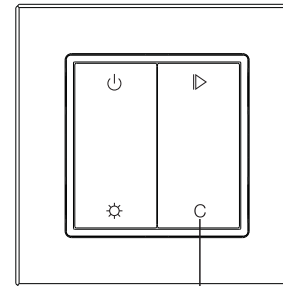
Output	RF signal
Operation Frequency	869.5/434MHz
Power Supply	3V(1xCR2430 battery)
Operating temperature	0-40°C
Relative humidity	8% to 80%
Dimensions	86x86x14mm

- Control 1 zone of receiver
- RGBW color controller
- Compatible with all universal series RF receivers
- 1 receiver can be paired by max 8 different remote controls.
- Waterproof grade: IP20

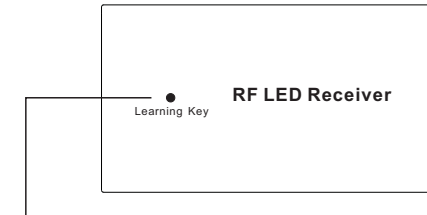
Safety & Warnings

- This device contains a button lithium battery that shall be stored and disposed properly.
- DO NOT expose the device to moisture.

Pair with RF receiver



Step 1: Do wiring the RF receiver according to wiring diagram (please refer to the instruction of RF receiver that you would like to pair with).

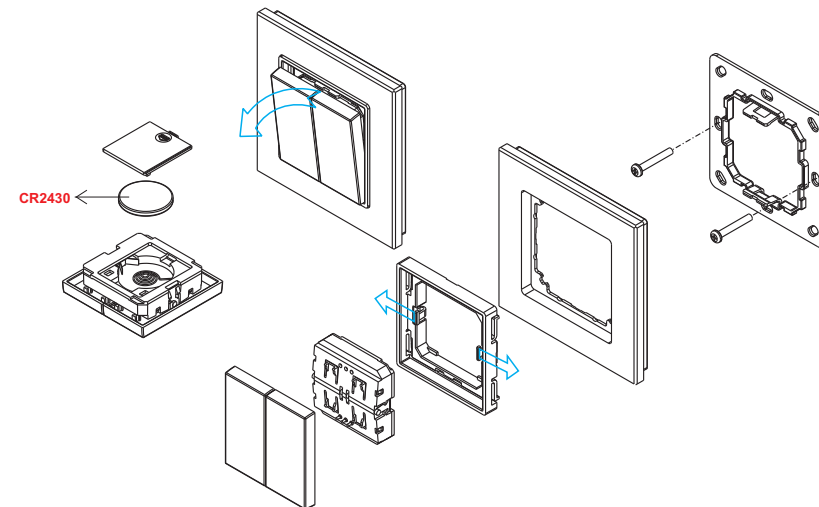


Step 2: Click the "Learning Key" button on RF receiver or re-power on the receiver three times continuously to set it into pairing status

Step 3: Click any button on the remote (e.g. button C), LED lights connected with the RF receiver flicker once means the receiver is paired with the remote successfully.

Note: one receiver can be paired with max 8 remote controls.

Installation



The key part of this controller is a universal, extremely rotary standard switch element that can be integrated in numerous frames by different manufactures as below list:

BEKER	S1, B1, B3, B7 glass
GIRA	Standard55, E2, Event, Esprit
JUNG	A500, Aplus
MERTEN	M-smart, M-Arc, M-Plan

Built-in 10 color changing modes are as follows:

Mode 1: Any two colors of RGB mix fade-in & fade-out

Mode 2: RGB three colors mix fade-in & fade-out

Mode 3: RGB three colors mix fade-out & fade-in

Mode 4: RGB flash

Mode 5: RGB three colors fade-in & fade-out successively

Mode 6: RGB three colors fade-in successively

Mode 7: RGB three colors fade-out successively

Mode 8: RGB three colors jump changing successively

Mode 9: R&B two colors mix fade (R in B out), then G fade-in, then R&B mix fade (R out B in), then G fade-out

Mode 10: B fade-out, then G&B mix fade (G out B in), then R&G mix fade (R out G in), then R fade-in

