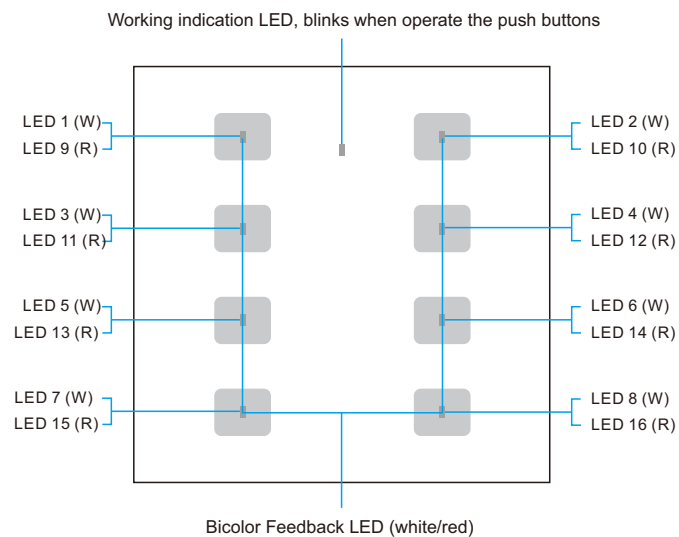


8-Key DALI Wall Switch Touch Panel

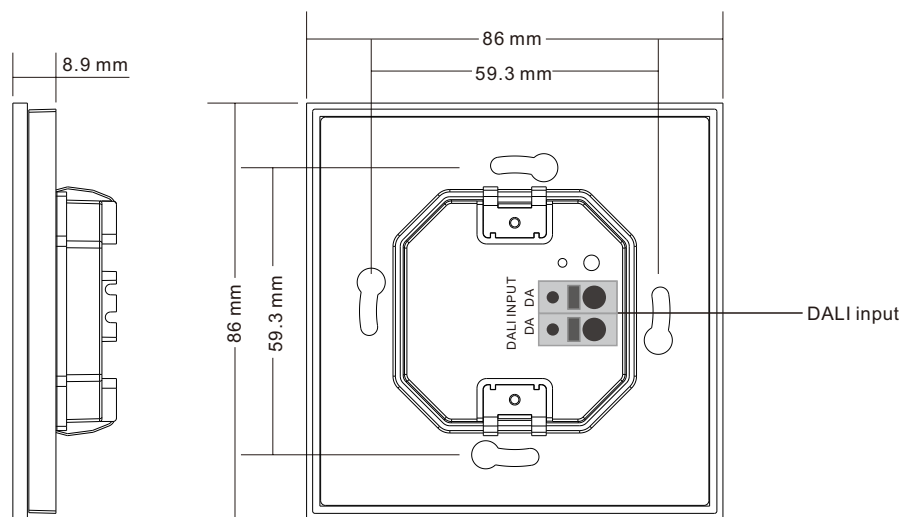


Important: Read All Instructions Prior to Installation

Function introduction



Front side



Back side

Product Features

- DALI-2 control device with 8 touch buttons according to IEC62386-101, IEC62386-103, IEC62386-301 and IEC62386-332
- Supports feedback functionality, provides 16 LEDs
- Suitable for integration and in combination with DALI-2 compliant central control units
- Multimaster capable, multiple modules can be installed on the DALI- line
- DALI bus powered, no extra power supply required
- Easy configuration via DALI-2 compliant central controller USB interface
- Compatible with universal 55mm frames

Product Data

DALI Interface

| | |
|---|--|
| Input Type | DALI |
| Marking | DA, DA |
| Input Voltage Range | 12VDC - 22.5VDC (according IEC62368-101) |
| Typ. Current Consumption DALI (at 16.5V) | 2mA |
| Max. Current Consumption DALI (Inrush Current at 22.5V) | 10mA |
| Number of Addresses for DALI Control Gear | DALI |
| Number of Addresses for DALI Control Devices | 8 programmable push buttons |
| Number of Feedback LED | 16 programmable LEDs |

General Data

| | |
|-----------------------------|---------------------------------|
| Dimensions (L x W x H) | 86x86x21.4mm |
| Mounting | Wall Mounting or on Conduit Box |
| Max. casing temperature Tc | 75°C |
| Expected Life Time @Tc | 50,000H |
| Protection Class | II in Intended Use |
| Protection Degree Housing | IP20 |
| Protection Degree Terminals | IP20 |
| Function | Configurable |
| Start-up Time | <150ms |

Terminals

| | |
|----------------------------------|---|
| Connector Type | Push-In |
| Wire Size Solid Core | 0.2 - 1.3 mm ² (AWG26 - AWG16) |
| Wire Size Fine Core | 0.2 - 1.3 mm ² (AWG26 - AWG16) |
| Wire Size Using Wire End Ferrule | 0.25 - 1.0 mm ² |
| Stripping Length | 9 - 10 mm / 0.35 - 0.39 inch |
| Release Connector | Push Button |

Environment Conditions

| | |
|-----------------------------|-------------|
| Storing Temperature | -20°C~+50°C |
| Working Ambient Temperature | -20°C~+50°C |
| Relative Humidity | 8% - 80% |

Standards

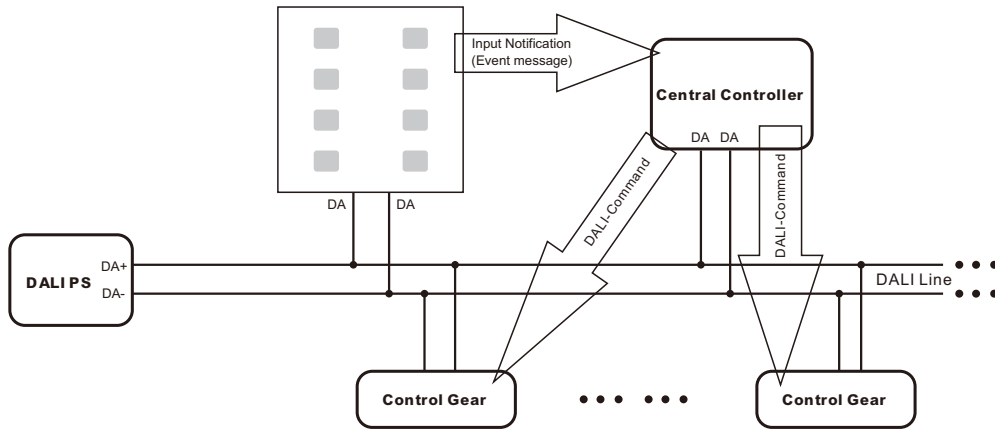
| | |
|----------|--|
| DALI | IEC62386-101:2014 IEC62386-103:2014 IEC62386-301 IEC62386-332 |
| EMC | EN 61547 EN 50015 / IEC CISPR15 |
| Safety | EN 61347-2-11 EN 61347-1 |
| Markings | DALI-2, CE |

Safety & Warnings

- DO NOT installed with power applied to device.
- DO NOT expose the device to moisture.

Application

Integration in a system with DALI-2 compliant central control unit, push buttons results in input notifications (event messages)



Application and Function

The DALI Switch can be used as input device for the integration in DALI-2 compliant central lighting control systems. In this mode each input (“instance”) informs about changes by using so called “input notifications”. These event-messages can be evaluated by other controllers on the DALI-line e.g. as trigger for commands sent to luminaires. The DALI-Switch provides 8 instances of type 1 (input device – push button).

Instance 1-8: Push Button, Instance Type 1 (according IEC62386-301, Input Devices – Push Button)

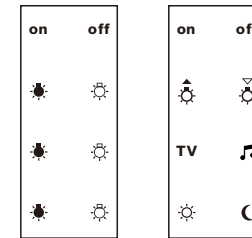
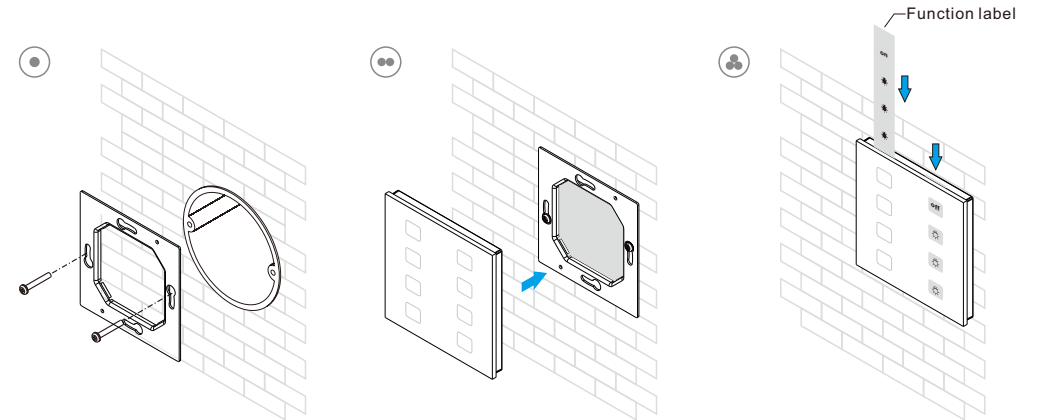
According to the standard the following INPUT NOTIFICATIONS are supported:

| Event name | Event Information | Description |
|-------------------|-------------------|--|
| Button released | 00 0000 0000b | The button is released |
| Button pressed | 00 0000 0001b | The button is pressed |
| Short press | 00 0000 0010b | The button is pressed and released, without being pressed quickly again (in case of double press enabled), or the button is pressed and quickly released (in case of double press is disabled) |
| Double press | 00 0000 0101b | The button is pressed and released, quickly followed by another button press |
| Long press start | 00 0000 1001b | The button is pressed without releasing it |
| Long press repeat | 00 0000 1011b | Following a long press start condition the button is still pressed, the event occurs at regular intervals as long as the condition holds |
| Long press stop | 00 0000 1100b | Following a long press start condition, the button is released |
| Button free | 00 0000 1110b | The button has been stuck and is now released |
| Button stuck | 00 0000 1111b | The button has been pressed for a very long time and is assumed stuck. |

Additional instance parameters like event filter, event timings (short timer, double timer, repeat timer, stuck timer) can be configured according to IEC62386-301.

Push Button Function Label

Push button function label can be printed and customized, to better indicate whatever functions configured to the push buttons. Please contact sales person to ask for the available customizable button function file in Excel format, which will generate corresponding label image after selecting the desired function for each button, just print it and install as follows:



Two example labels

Feedback Functionality

This DALI wall switch supports feedback functionality, feedback is the means of informing the user about the system state, the supported feedback type by the switch is visible feedback using 16 LEDs.

The instance number of the 16 LEDs are as follows (according IEC62386-332, Input Devices – Feedback):

| LEDs | Instance number | LED 9 (R) | 0x28 |
|-----------|-----------------|------------|------|
| LED 1 (W) | 0x20 | LED 10 (R) | 0x29 |
| LED 2 (W) | 0x21 | LED 11 (R) | 0x30 |
| LED 3 (W) | 0x22 | LED 12 (R) | 0x31 |
| LED 4 (W) | 0x23 | LED 13 (R) | 0x32 |
| LED 5 (W) | 0x24 | LED 14 (R) | 0x33 |
| LED 6 (W) | 0x25 | LED 15 (R) | 0x34 |
| LED 7 (W) | 0x26 | LED 16 (R) | 0x35 |
| LED 8 (W) | 0x27 | | |

Commands to activate and stop feedback

| Command Name | Opcode byte |
|-------------------|-------------|
| ACTIVATE FEEDBACK | 0x10 |
| STOP FEEDBACK | 0x11 |

Feedback variables and additional commands like feedbackActive, feedbackTiming, feedbackActiveBrightness, feedbackActiveColour, feedbackInactiveBrightness and feedbackInactiveColour can be configured according to IEC62386-332.