

Push Button DALI DT6 Group Controller

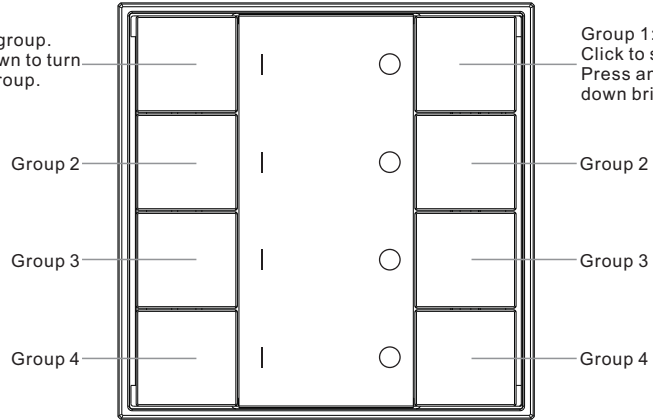
09.2402K8G4.04859



Important: Read All Instructions Prior to Installation

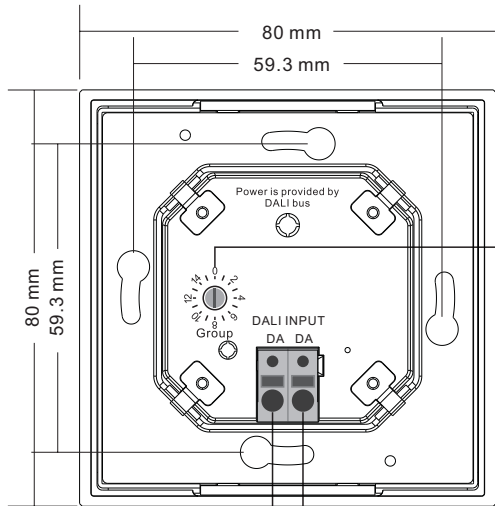
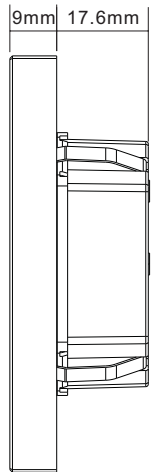
Function introduction

Group 1:
Click to switch on group.
Press and hold down to turn
up brightness of group.



Front side

Group 1:
Click to switch off group.
Press and hold down to turn
down brightness of group.



Back side

Rotary Switch for Assigning
Group (Total 16 Groups)

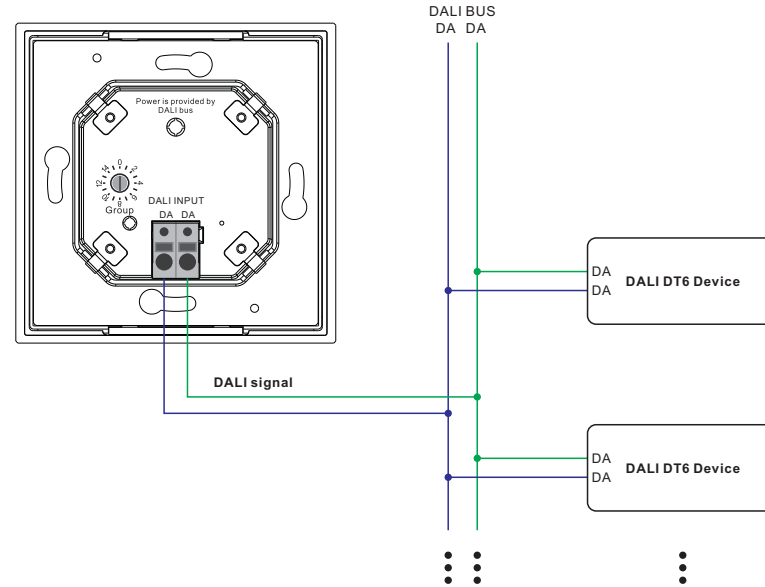
DALI signal output

Product Data

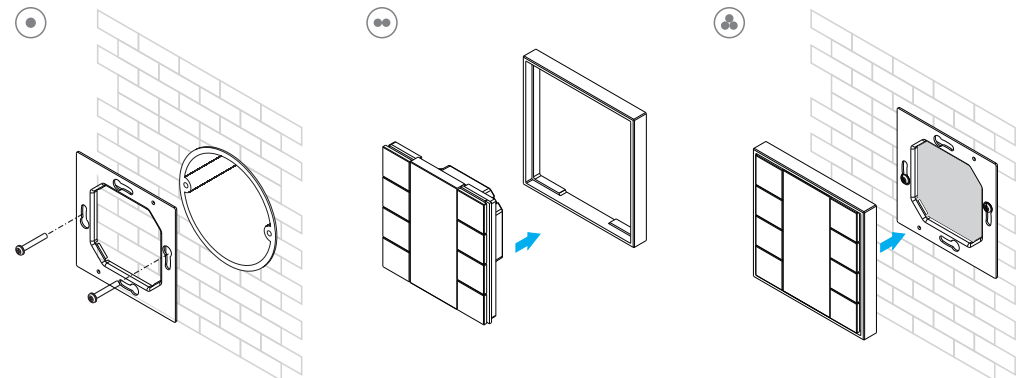
Output	DALI signal
Power Supply	Supply By DALI Bus
Operation Current	30mA
Operating temperature	0-40°C
Relative humidity	8% to 80%
Dimensions	80x80x26.6mm

- DALI DT6 push button controller
- Ultra slim and luxury design
- Material and finishing color can be customized
- With back lighting design, easy to find even in dark night
- DALI bus powered, no extra power supply required
- Each channel DALI bus can install multiple controllers
- Enables to select and control 4 DALI groups from total 16 DALI groups
- Easy installation with mounting bracket
- Waterproof grade: IP20

Wiring Diagram



Installation



Safety & Warnings

- DO NOT installed with power applied to device.
- DO NOT expose the device to moisture.

Operation

1. Do wiring according to connection diagram correctly.

2. Set starting Group number via rotary switch on the back: (0-15 selectable)

- This DALI push button controller enables dimming commands to be sent to Four Groups of devices on the DALI circuit by Four Groups of buttons. A rotary switch on the back is used to select DALI Groups you would like to control and set the starting Group number, and total 16 Groups (0-15) can be selected.
- When the rotary switch arrow position is at 0, Group 1 buttons controls all devices on DALI circuit through broadcast, Group 2 buttons controls DALI group 0, Group 3 buttons controls DALI group 1, Group 4 buttons controls DALI group 2.
- When the rotary switch arrow position is at X except 0 (1-15), Group 1 buttons controls DALI Group X-1, Group 2 buttons controls DALI Group X, Group 3 buttons controls DALI Group X+1, Group 4 buttons controls DALI Group X+2.

For example: Rotary switch arrow at 1, Group 1 buttons controls DALI Group 0, Group 2 buttons controls DALI Group 1, Group 3 buttons controls DALI Group 2, Group 4 buttons controls DALI Group 3. Rotary switch arrow at 15, Group 1 buttons controls DALI Group 14, Group 2 buttons controls DALI Group 15, Group 3 buttons controls DALI Group 0, Group 4 buttons controls DALI Group 1.

Please refer to the detailed Group setting table as follows:

Rotary Switch Position	0	1	2	3	4	5	6	7	8	9	10	11	12	13	14	15
DALI Group for Group 1 Buttons	Broadcast	0	1	2	3	4	5	6	7	8	9	10	11	12	13	14
DALI Group for Group 2 Buttons	0	1	2	3	4	5	6	7	8	9	10	11	12	13	14	15
DALI Group for Group 3 Buttons	1	2	3	4	5	6	7	8	9	10	11	12	13	14	15	0
DALI Group for Group 4 Buttons	2	3	4	5	6	7	8	9	10	11	12	13	14	15	0	1

Note: please assign the devices on DALI circuit to a DALI group(0-15) with DALI master controller first.