

Built-in Power Switch 1-10V Dimmer

09.2205V2.04050

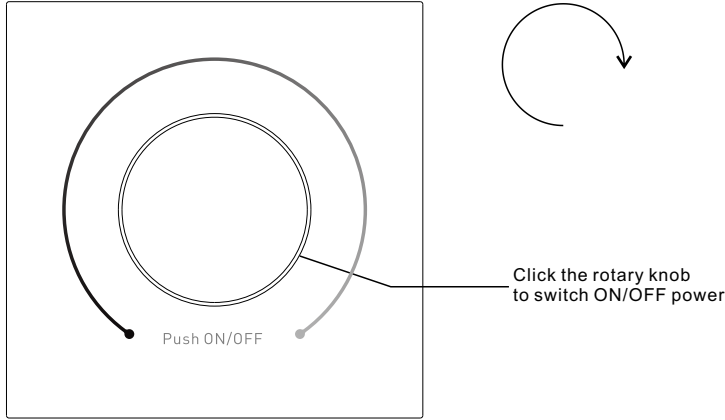


Important: Read All Instructions Prior to Installation

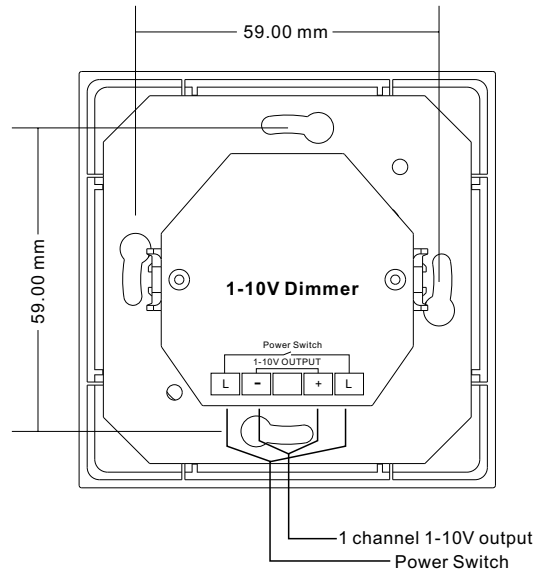
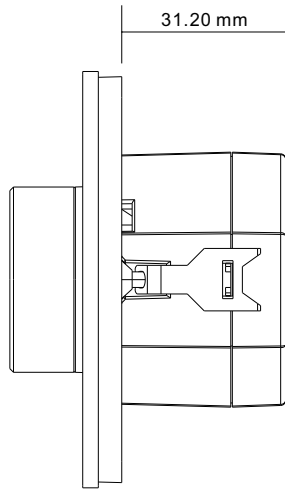
Function introduction

Rotate the knob counterclockwise to decrease light intensity from 100% to 0%.

Rotate the knob clockwise to increase light intensity from 0% to 100%



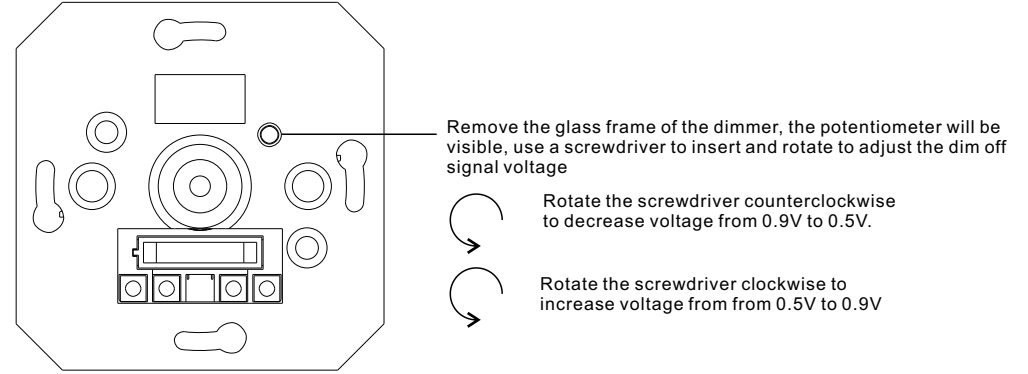
Front side



Back side

Dim Off Signal Voltage Setting

This 1-10V dimmer enables to set different dim off voltages by potentiometer to match different suppliers' 1-10V drivers that may be dimmed off at different signal voltage. The voltage can be set from 0.5V-0.9V, please refer to the manual of your 1-10V driver to get the correct dim off signal voltage. Factory default dim off signal voltage is 0.9V.



Remove the glass frame of the dimmer, the potentiometer will be visible, use a screwdriver to insert and rotate to adjust the dim off signal voltage

Rotate the screwdriver counterclockwise to decrease voltage from 0.9V to 0.5V.

Rotate the screwdriver clockwise to increase voltage from from 0.5V to 0.9V

Product Data

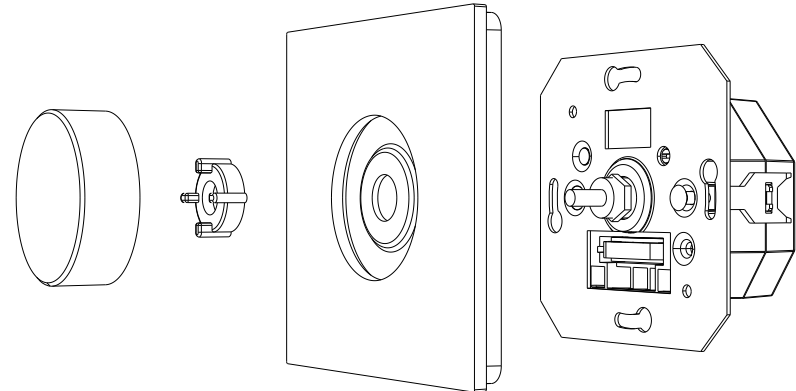
Output Signal	1x(1-10V)
Output Current	Max. 50 mA
Switching Voltage	100-240V AC
Switching Current	Max. 10A
Operating temperature	0-40°C
Relative humidity	8% to 80%
Dimensions	80x80x52.3mm

- Rotation sensitive
- Built-in power switch, switch up to 10A
- Standard design, The key part of this controller is a universal, extremely rotary standard switch element that can be integrated in numerous frames by different manufactures
- 1 channel 1-10V Signal output
- Enable to set different dim off signal voltage (0.5V-0.9V) by potentiometer to match different suppliers' 1-10V driver
- Control single color
- Waterproof grade: IP20
- 0-10V version for chosen

Safety & Warnings

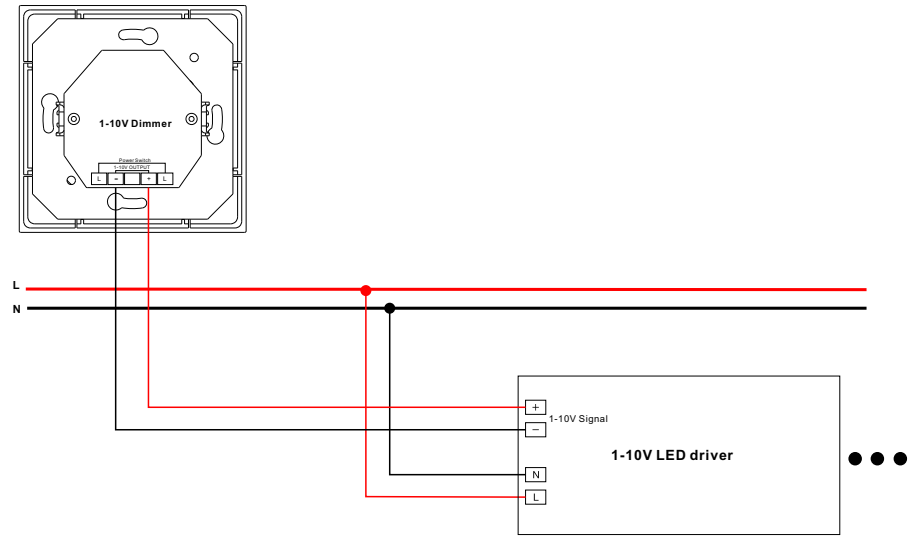
- DO NOT install with power applied to device.
- DO NOT expose the device to moisture.

Installation



Wiring diagram

1.1-10V signal dimming



2.1-10V signal dimming & power switch

