

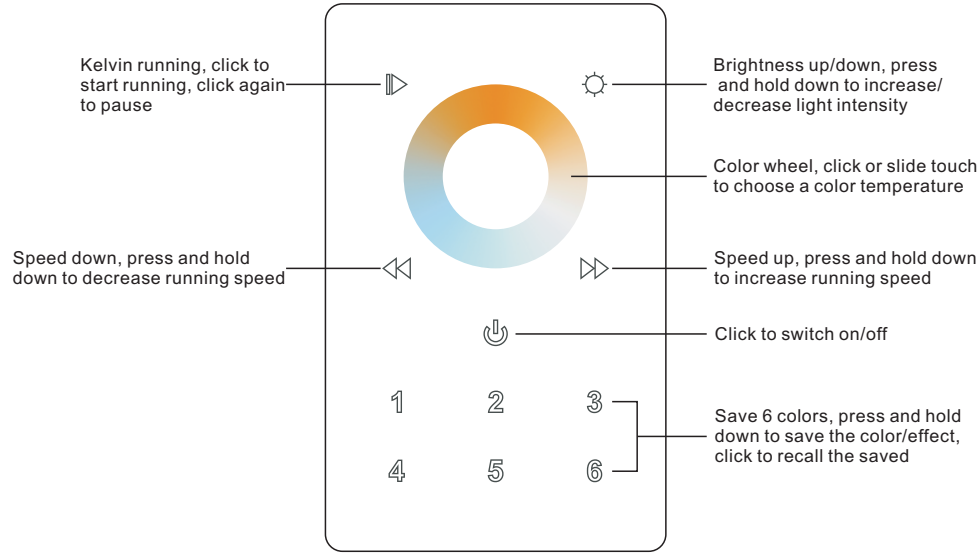
CDW Color DMX512 Controller

09.2201U.04469

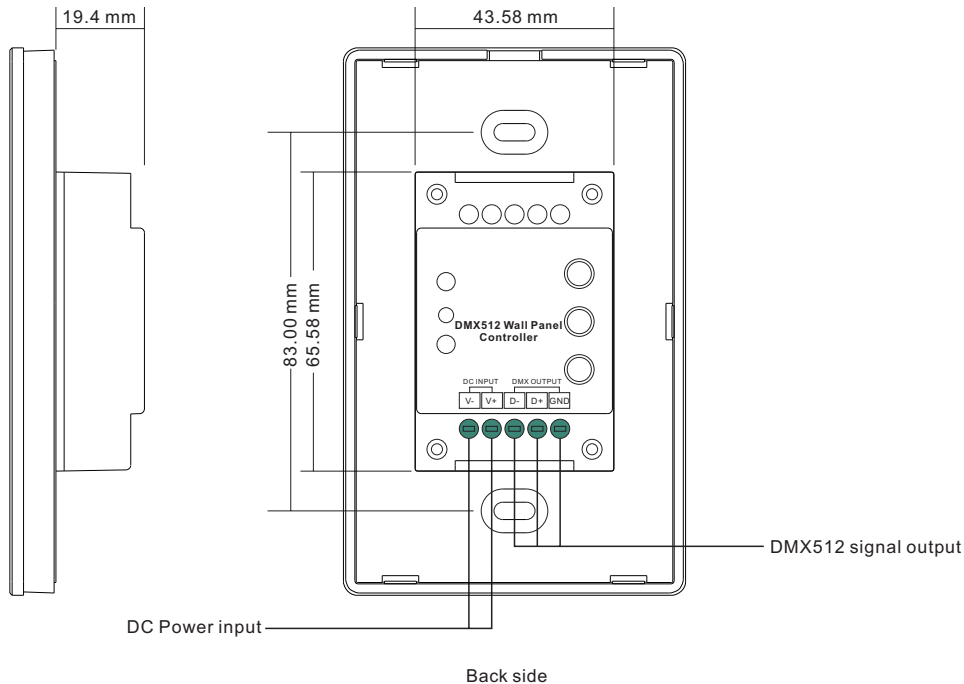


Important: Read All Instructions Prior to Installation

Function introduction



Front side



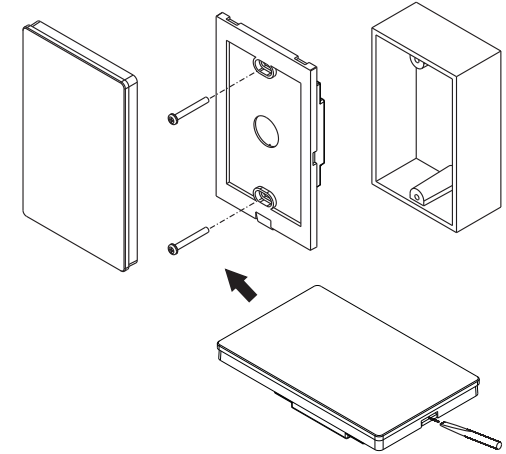
Back side

Product Data

Output Signal	DMX512 signal
Power Supply	12-24VDC
Power consumption	< 20 mA
Operating temperature	0-40°C
Relative humidity	8% to 80%
Dimensions	75x120x29.2mm

- Touch sensitive
- Glass interface(white & black)
- Standard DMX512 Signal output
- Control CDW color(all white color)
- Waterproof grade: IP20

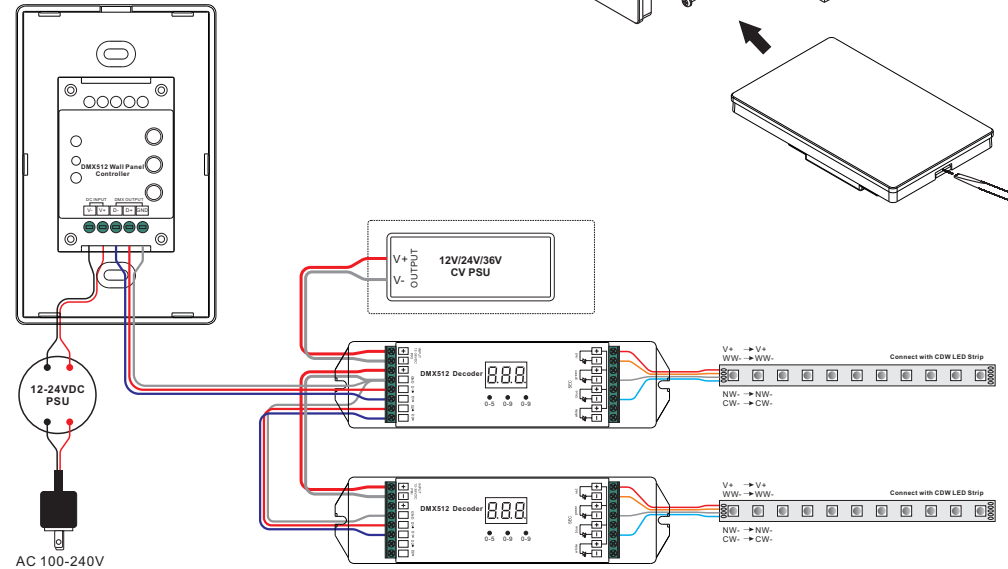
Installation



Safety & Warnings

- DO NOT install with power applied to device.
- DO NOT expose the device to moisture.

Wiring diagram



Operation

1. Set DMX Address

Set all DMX Decoder as DMX Address 001

2. Default setting colors

Press and hold down key to restore to default setting colors as follows:

- | | |
|----------------------|-------------------------------------|
| 1 100% Warm white | 2 50% warm white +50% cool white |
| 3 100% Natural white | 4 50% Natural white +50% cool white |
| 5 100% Cool white | 6 50% Cool white +50% warm white |

3. Save color

1) Touch color wheel to choose the color

2) Press and hold down a target number over 3 seconds until LED light connected with the DMX decoder flashes, the color is saved successfully, which will cover the default setting colors.

4. Recall the saved colors

Turn on the DMX master controller and click any of numbers of 1, 2, 3, 4, 5 and 6 to recall the saved colors.