

SUNRICHER

0-10V BLE Fixture-Integrated PIR Sensor Controller



Product Datasheet

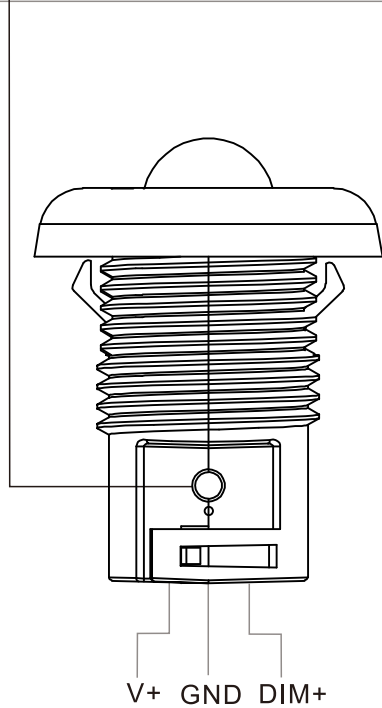
Please read all instructions before installation



Technology Partner **SILVAIR**

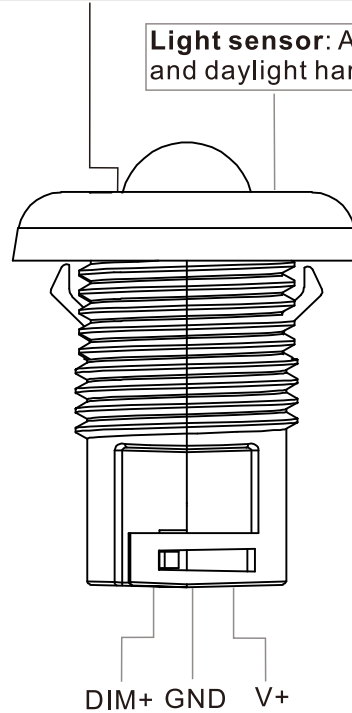
Product info

Reset Key: Press it to help withdraw the device from internet/APP, LED flashes quickly indicates success.



PIR Indicator: Turns RED when movement has been detected.

Light sensor: Ambient light detection and daylight harvesting



Note:

V+: Power supply

GND: Common port for V- & Dim-

DIM+: 0-10V signal port, represents 10V

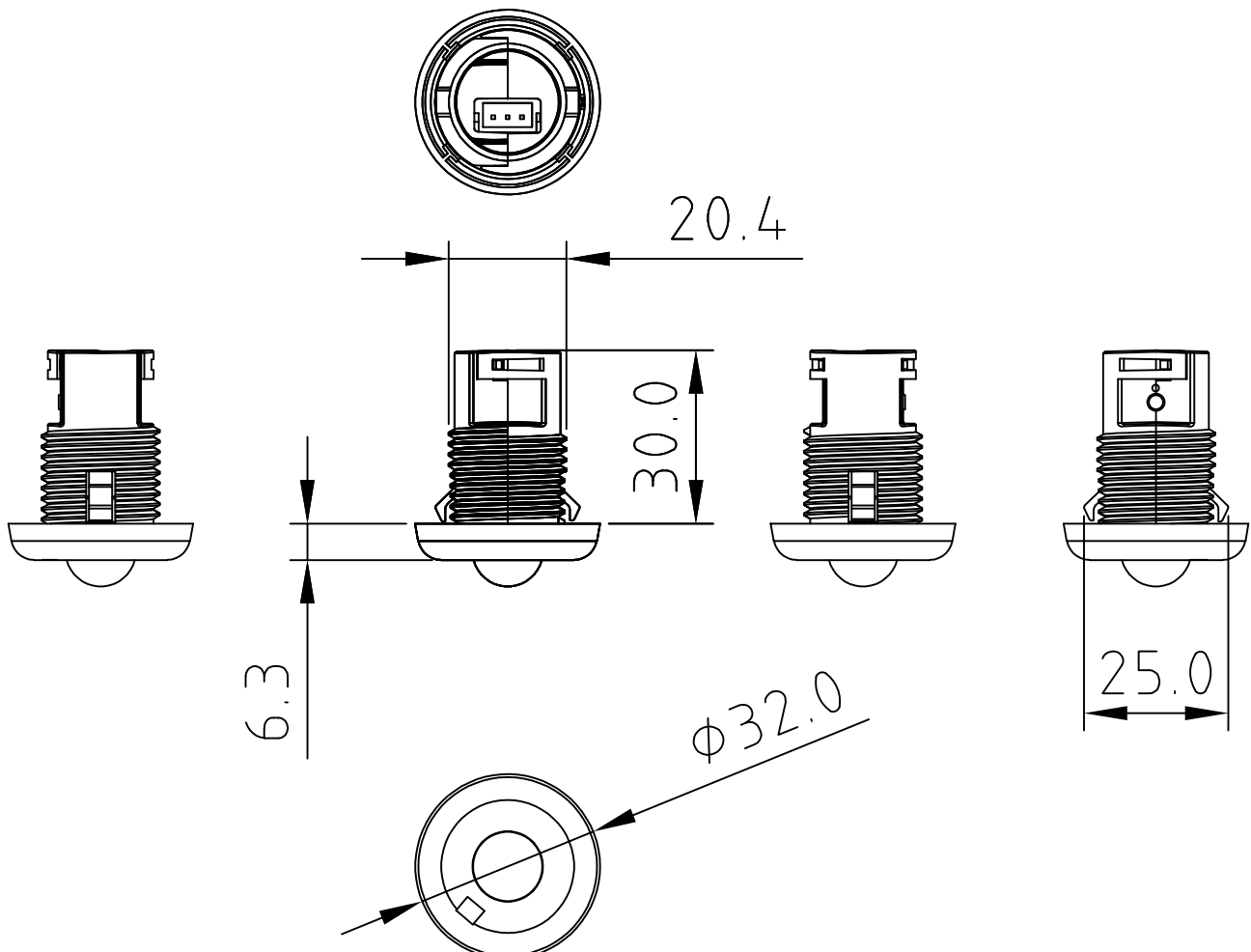
Parameters

Input		Output, 0/1-10V	Control		Environment		Others
Power	Signal	Current	Dimming Curve	Dimming Method	Operating temperature	Relative humidity	Size
12-36VDC	Bluetooth	Max. 20mA	Logarithmic	PWM	0°C~+45°C	8% to 80%	See dimensions

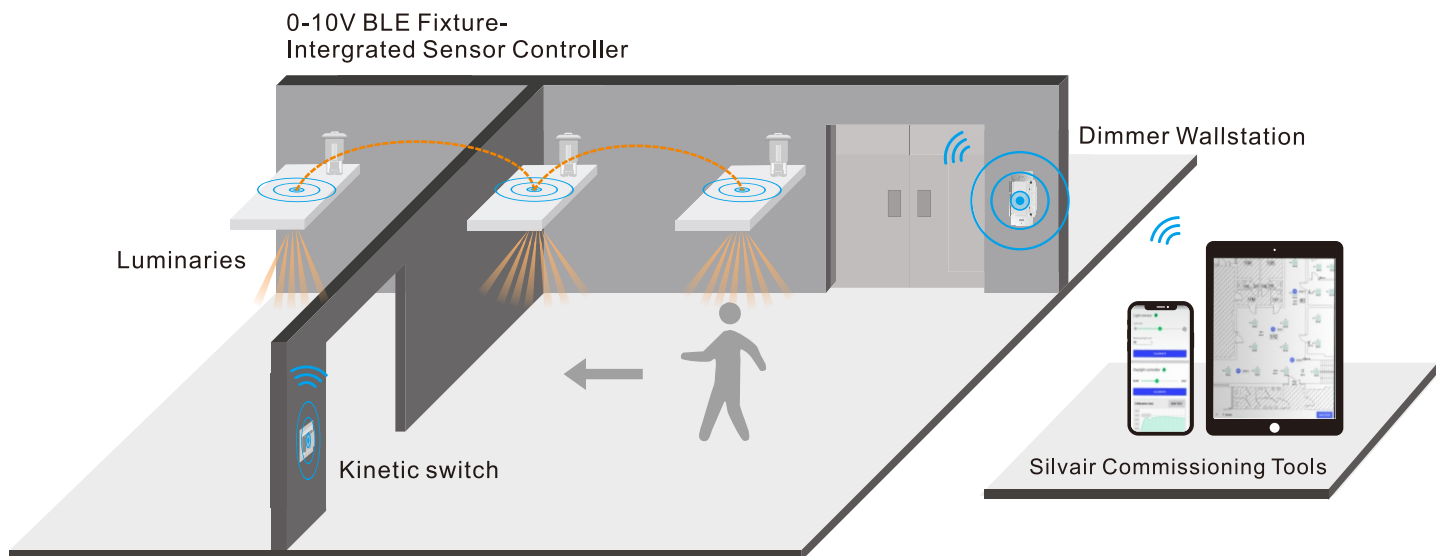
Features

- Bluetooth to 0-10V signal PIR sensor controller, Bluetooth® mesh network
- Built-in 20mA 0-10V signal output
- Mesh network, which has a much longer control distance, transmits received signals to neighboring devices
- All devices on 0-10V line are broadcast controlled by mobile application
- Supporting our kinetic energy switches and EnOcean switches EWSSB and EWSDB
- In typical indoor environment, the typical range for wireless communication is 20m to 25m . Actual range is dependent on field installation.
- Available with Magnetic reset (Touch the top part of sensor for 5 seconds)
- On-board antenna
- Waterproof grade: IP20
- 5 years warranty

Dimension



Application



Specifications

ENERGY SAVINGS

- Low/High-end trimming
- Daylight harvesting
- Occupancy/Vacancy detection
- Auto and advanced demand response programs
- Time-of-Day dimming schedule
- Energy monitoring

COMFORT & CONVENIENCE

- Advanced occupancy detections
- Light-level stability
- Configurable dim-and-linger occupancy
- Personalized setting profile
- Work with kinetic switch keypad and dimmer wallstation
- Multi-scenes control

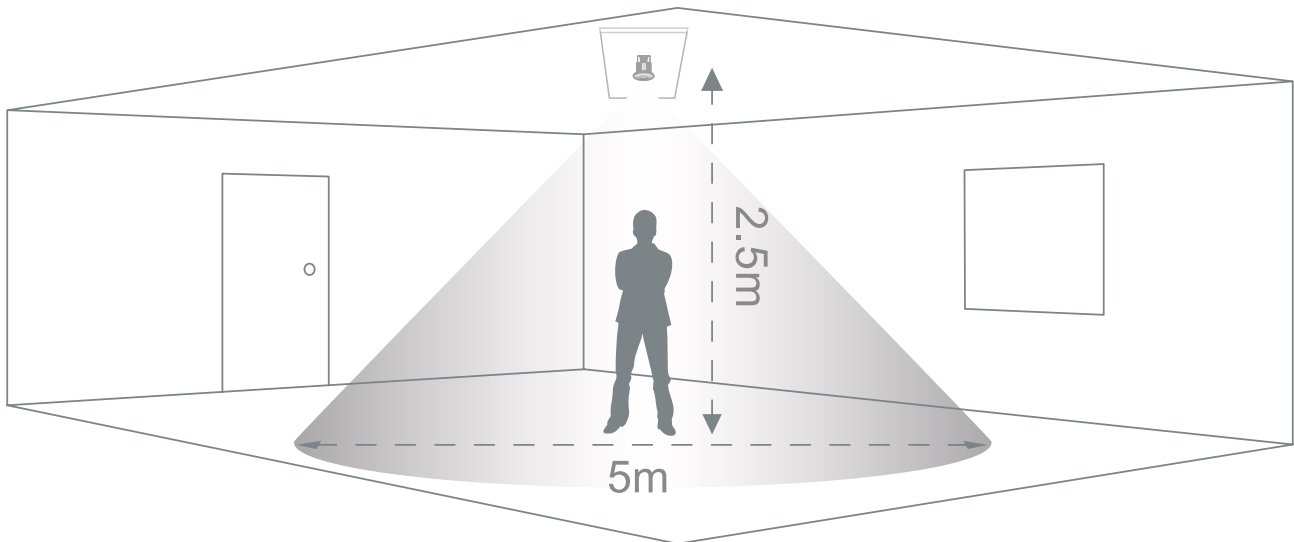
SENSING

- Mounting height: 3m
- Recommended mounting height: 2.5m
- Detection area diameter: 5m@2.5m

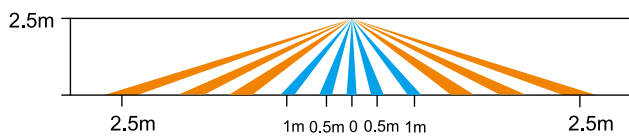
ENVIRONMENT AND APPROBATION

- Operating temperature: 0°C to 45°C
- Agency approbations: CE/RoHS/UL Comming soon...
- Warranty: 5 years

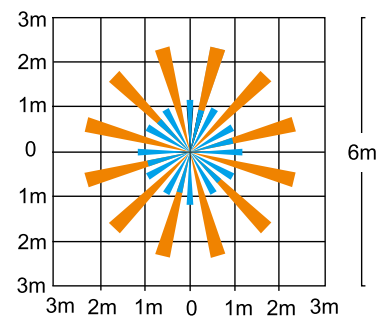
Detection Pattern



Coverage Side View



Coverage Top View



The detection area for movement sensor can be roughly divided into two parts:

- Quick movement (person moving $< 1.0'/s$ or $0.3m/s$)
- Small movement (person moving $> 1.3'/s$ or $0.4m/s$)

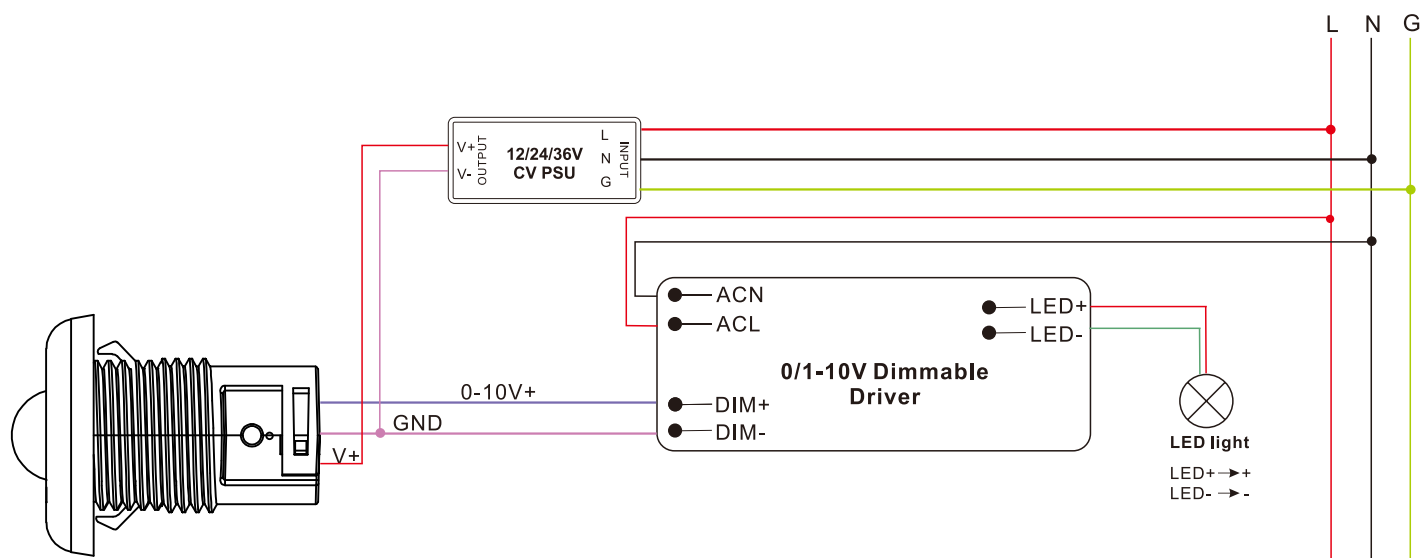
Warning

- DO NOT install with power applied to device
- DO NOT expose the device to moisture

Operation

- Do wiring according to connection diagram
- Kindly refer to **Silvair commissioning User Manual** for further pairing
- Press and hold down the “Reset” button on the controller over 5 seconds until the indicator flashes , which means it has been reset.
- Available with Magnetic reset (Touch the top part of sensor for 5 seconds)

Wiring



Update log

Date	Version	Update content	Update by
2022-4-15	V2.0	Dimension and wiring diagram	Romeo

Subject to change without notice. Please contact us if you have any question.