

# DT6 DALI Broadcast Module

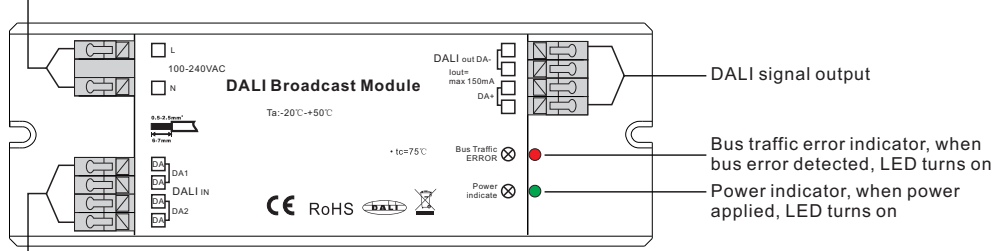
09.2400BMDIM.04069



**Important:** Read All Instructions Prior to Installation

## Function introduction

100-240VAC input



DALI signal input

## Specifications

Power supply	100V-240V AC, 50/60Hz
Max. input supply current	20mA @ 230VAC full load
Max. current consumption DALI IN	< 2mA
Number of DALI address	1
Max. DALI supply current DALI OUT	150mA
Number of DALI channel DALI OUT	1
Input/output	DALI/DALI
DALI device type	DT6
Wire cross section	0.5 ... 2.5 mm <sup>2</sup>
Connection terminal type	Spring terminal connector
Release of wire	Push button
Mounting	Remote ceiling
Dimension	170x59x29mm
Operating environment temperature	-20°C to +50°C
Max. casing temperature	75°C
Humidity	10%-95% RH, non-condensing
Storage temperature	-40°C to +85°C
Protection class	II
Waterproof grade	IP20

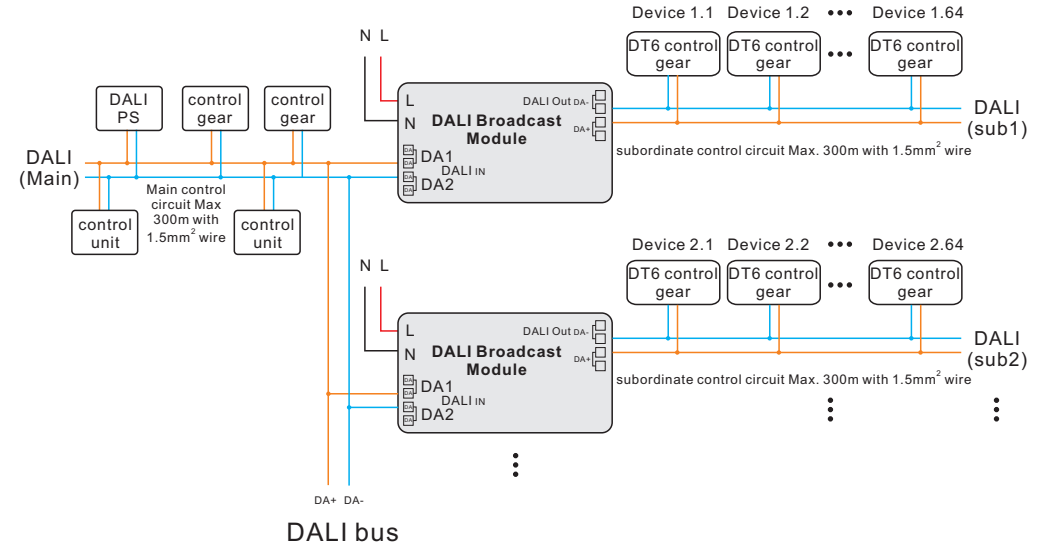
## Safety & Warnings

- DO NOT install with power applied to device.
- DO NOT expose the device to moisture.

## Features

- DT6 DALI broadcast module, simple and easy to expand DALI circuit
- Receives DT6 commands from DALI main circuit as a control gear with a single address
- Forwards received DALI commands to all control gears connected to its DALI OUT
- All control gears connected to DALI OUT will be controlled by the forwarded broadcast DALI commands
- All control gears connected to DALI OUT will be controlled via the DALI address of the module
- Output with DALI power supply (150mA) to power max. 64 control gears
- No DALI addressing required for the control gears connected to DALI OUT
- Reduces time and cost of commissioning and simplifies maintenance
- Multiple modules can be connected to DALI main circuit to establish multiple DALI sub-circuits
- The number of DALI control gears in the DALI main circuit can be extended drastically
- Error detection and monitoring function
- Mains power supply, DALI input (DALI IN), DALI output (DALI OUT) are fully isolated from each other

## Wiring diagram



## DALI Address

1 DALI address for the DALI broadcast module can be assigned by DALI Master controller automatically, please refer to user manuals of compatible DALI Masters for specific operations.

## Product Dimension

